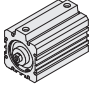
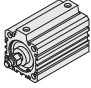
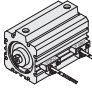
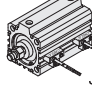
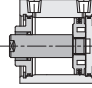
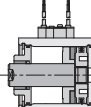
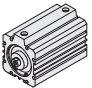
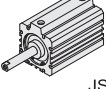
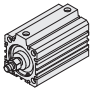

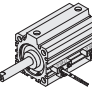
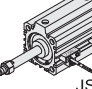
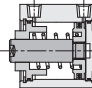
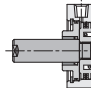
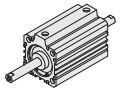
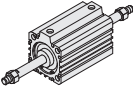
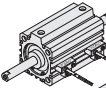
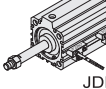
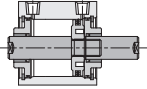
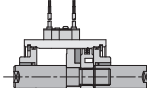
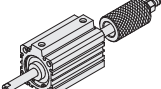
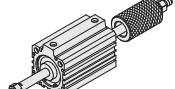
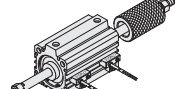
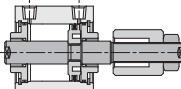
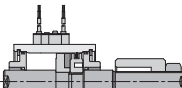
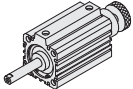
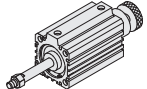
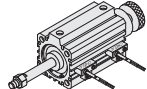
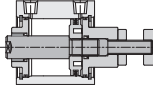
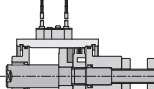


JD series - Compact cylinder

Internal Structure and Operating Specification

CHELIC PNEUMATIC

Female thread	Male thread - B	With magnet-S Sensor switch	Internal structure	
 JD - ■	 JD - ■ - B	 JD - ■ - S  JD - ■ - B - S	 Double acting	 Double acting (with magnet)
 JSI - ■  JSO - ■	 JSI - ■ - B  JSO - ■ - B	 JSI - ■ S  JSO - ■ - B - S	 Single acting (Normal In)	 Single acting (Normal Out)
 JDD - ■	 JDD - ■ - B	 JDD - ■ - S  JDD - ■ - B - S	 Double-Rod and Double acting	 Double-Rod (with magnet)
 JDAD - ■	 JDAD - ■ - B	 JDAD - ■ - B - S	 Adjustable-Stroke Compact Cylinder	 Adjustable-Stroke Compact Cylinder (With magnet)
 JDAR - ■	 JDAR - ■ - B	 JDAR - ■ - B - S	 Adjustable-Retracton Compact Cylinder	 Adjustable-Retracton Compact Cylinder (With magnet)

NA
Cartridge
Cylinder

NA2
Cartridge
Cylinder

NB
Cartridge
Cylinder

NU
Free Mount
Cylinder

ND
Free Mount
Cylinder

NQ
Free Mount
Cylinder

MSI
Mini
Compact
Cylinder

JD
Compact
Cylinder

JG
Compact
Cylinder

JTD
Twin-Guide
Cylinder

JTF
Twin-Guide
Cylinder

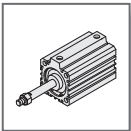
JCB
Twin-Guide
Cylinder

JCF
Twin-Guide
Cylinder

JE
Compact
Cylinder

Specification

Item	Bore Size (mm)	6	10	12	16	20	25	32	40	50	63	80	100	125	
Operation		Double acting , Single acting													
Fluid		Air													
Pressure range	kgf/cm ² (kpa)	2 ~ 7 (200~700)				1.5 (150~700)				1 ~ 7 (100~700)					
Max. service pressure	kgf/cm ² (kpa)	9 (900)													
Range of service temperature	°C	0 ~ 60													
Operated speed	Double acting	50 ~ 500									50~350	50 ~ 250			
	Single acting	—	100 ~ 500							—					
Lubrication		Lubrication free													
Connection port		M3 x 0.5			M5 x 0.8				Rc 1/8	Rc 1/4		Rc 3/8			
Sensor switch		Option (S : With magnet)													

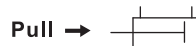
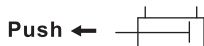


JD series - Compact cylinder

Operating specification

CHELIC PNEUMATIC

Double acting cylinder



Bore size (mm)	Rod diameter (mm)	Action	Piston area cm ²	Air pressure (kgf/cm ²)						
				1	2	3	4	5	6	7
6	3	Push	0.28	—	0.56	0.84	1.12	1.4	1.68	1.96
		Pull	0.21	—	0.42	0.63	0.84	1.05	1.26	1.47
10	4	Push	0.78	—	1.56	2.34	3.12	3.9	4.68	5.46
		Pull	0.65	—	1.3	1.95	2.6	3.25	3.9	4.55
12	6	Push	1.13	—	2.26	3.39	4.52	5.65	6.78	7.91
		Pull	0.84	—	1.69	2.54	3.39	4.24	5.08	5.93
16	6	Push	2.01	—	4.02	6.03	8.04	10.05	12.06	14.07
		Pull	1.73	—	3.45	5.18	6.91	8.63	10.36	12.09
20	8	Push	3.14	—	6	9	12	15	18	21
		Pull	2.64	—	5	7	10	13	15	18
25	10	Push	4.90	—	9	14	19	24	29	34
		Pull	4.12	—	8	12	16	20	24	28
32	12	Push	8.04	—	16	24	32	40	48	56
		Pull	6.90	—	13	20	27	34	41	48
40	16	Push	12.56	12	25	37	50	62	75	87
		Pull	10.55	10	21	31	42	52	63	73
50	20	Push	19.63	19	39	58	78	98	117	137
		Pull	16.49	16	32	49	65	82	98	115
63	20	Push	31.17	31	62	93	124	155	187	218
		Pull	28.03	28	56	84	112	140	168	196
80	25	Push	50.26	50	100	150	201	251	301	351
		Pull	45.36	45	90	136	181	226	272	317
100	25	Push	78.50	78	157	235	314	392	471	549
		Pull	70.05	70	140	211	281	352	422	493
125	25	Push	122.71	123	245	368	419	614	736	859
		Pull	112.54	113	225	338	450	563	675	788

Note : Above are theoretical data : please take into consideration the frictional resistance and the mechanical efficiency of value should be added calculation before using.

Single acting cylinder

● JSI Series



● JSO Series



Model	Bore size (mm)	Rod diameter (mm)	Piston area cm ²	Air pressure (kgf/cm ²)						
				1	2	3	4	5	6	7
Normal in (JSI series)	Ø 12	Ø 6	1.130	—	1.32	2.45	3.56	4.71	5.84	6.97
	Ø 16	Ø 6	2.01	—	2.85	4.86	6.87	8.88	10.69	12.90
	Ø 20	Ø 8	3.14	—	5	8	11	14	17	20
	Ø 25	Ø 10	4.90	—	7	12	17	22	27	32
	Ø 32	Ø 12	8.04	—	11	19	27	35	43	51
	Ø 40	Ø 16	12.56	—	19	32	44	57	69	82
Normal out (JSO series)	Ø 12	Ø 6	0.848	—	0.7	1.6	2.4	3.3	4.1	4.9
	Ø 16	Ø 6	1.73	—	2.2	4.0	5.7	7.4	9.1	10.9
	Ø 20	Ø 8	2.64	—	4	6	9	11	14	17
	Ø 25	Ø 10	4.12	—	6	10	14	18	22	26
	Ø 32	Ø 12	6.90	—	9	16	22	29	36	43
	Ø 40	Ø 16	10.55	—	15	26	36	47	57	68
Ø 50	Ø 20	16.49	—	28	45	61	78	94	111	

Note : Above are theoretical data : please take into consideration the frictional resistance and the mechanical efficiency of value should be added calculation before using.

NA
Cartridge
Cylinder

NA2
Cartridge
Cylinder

NB
Cartridge
Cylinder

NU
Free Mount
Cylinder

ND
Free Mount
Cylinder

NQ
Free Mount
Cylinder

MSI
Mini Compact
Cylinder

JD
Compact
Cylinder

JG
Compact
Cylinder

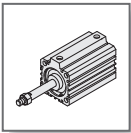
JTD
Twin-Guide
Cylinder

JTF
Twin-Guide
Cylinder

JCB
Twin-Guide
Cylinder

JCF
Twin-Guide
Cylinder

JE
Compact
Cylinder

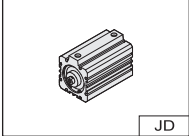
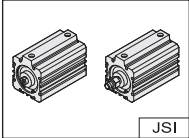
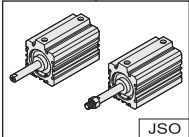
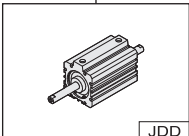
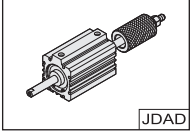
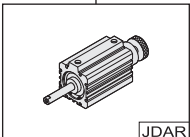


JD series - Compact cylinder

Ordering expression

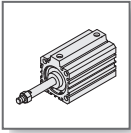
CHELIC PNEUMATIC

How to order

JD	32	×	50	-	B	-	LB	-	S	E	2
Model	Bore size		Stroke		Thread type		Mounting type		Sensor switch		
 JD Standard Double acting	6 — Ø 6 mm 10 — Ø 10 mm 12 — Ø 12 mm 16 — Ø 16 mm 20 — Ø 20 mm 25 — Ø 25 mm 32 — Ø 32 mm 40 — Ø 40 mm 50 — Ø 50 mm 63 — Ø 63 mm 80 — Ø 80 mm 100 — Ø 100 mm 125 — Ø 125 mm		Ø 6 — 5 ~ 30 mm Ø 10 — 5 ~ 30 mm Ø 12 — 5 ~ 50 mm Ø 16 — 5 ~ 50 mm Ø 20 — 5 ~ 100 mm Ø 25 — 5 ~ 100 mm Ø 32 — 5 ~ 100 mm Ø 40 — 5 ~ 150 mm Ø 50 — 5 ~ 150 mm Ø 63 — 5 ~ 150 mm Ø 80 — 5 ~ 150 mm Ø 100 — 5 ~ 150 mm Ø 125 — 5 ~ 100 mm		None : Female thread B : Male thread		Front flange mounting FA Cap flange mounting FB Single clevis CA Double clevis CB Foot mounting LB		CS-30E S E 2 None : Without magnet S : With magnet E : Sensor switch (CS-30E) 2 : Number of Sensor switch 1 = 1 PCS 2 = 2 PCS		
 JSI Single acting (Normal In)											
 JSO Single acting (Normal out)											
 JDD Double-Rod acting											
 JDAD Adjustable											
 JDAR Adjustable Ø 20 ~ Ø 63											
					⚠ Note : ● Standard : Female thread ● Male thread must be marked " B "						
											CS-9D S D 2 S : With magnet D : Sensor switch (CS-9D) B : Sensor switch (CS-9B) 2 : Number of Sensor switch 1 = 1 PCS 2 = 2 PCS ⚠ Note : ● Magnet must be marked " S "

How to order

- **Model** : Please select suitable models as per your actual requirement and indicate model number.
- **Force** : (Please refer to page 3-1.37). Select different size for different load. Push and pull forces, vary due to the total area of trust are different.
- **Stroke** : Select different stroke for different piston travelling distance.
- **Length** : Length of (5, 10), (15, 20), (25, 30), (35, 40), (45, 50) are the same respectively. The total length will be calculated at the multiple of 10, with the interval of 5 mm, stroke above 60 mm the length will be of standard. (Please refer to P.3-1.36)
- **Thread** : Standard thread : Female thread (No code); B: Male thread.
- **Magnet** : JD Series - Standard : Without magnet (No code) ; S : With magnet. Additional 10 mm to be added into the total cylinder length. (Please refer to P.3-1.41)
- **Sensor switch** : CS-30E and CS-9D(B) are two common models of sensor switch. As for different application, please refer separately. (Please refer to P.6-2.9 and P.6-2.15)
- **Screw table** : As for screw size, please refer to P.3-1.65 for screw specification table.

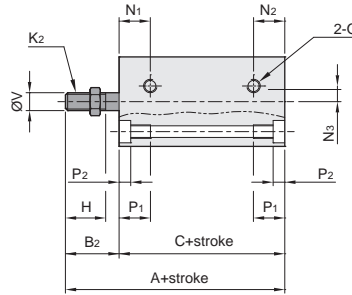
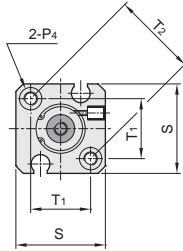


JD series - Compact cylinder

External dimension

CHELIC PNEUMATIC

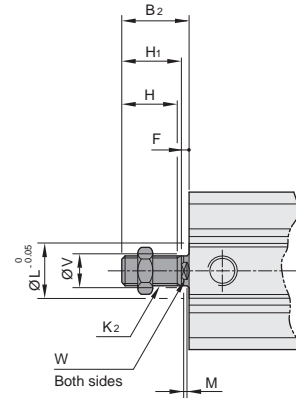
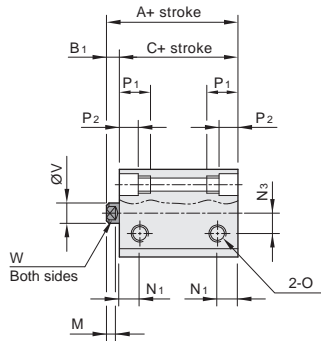
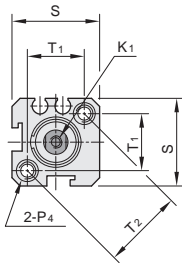
JD Ø6 ~ Ø10



※ Note : Standard stroke is 5, 10, 15, 20, 25, 30 (Please refer to P. 3-1.36)

JD Ø12 ~ Ø16

Male thread dimension



※ Note : Stroke 5, 15, 25, 35, 45, 55 be added 5mm to the body length of cylinder. (Please refer to P. 3-1.36) Unit : mm

Model Bore size	Standard type				F	H	H ₁	K ₁	K ₂	L	M	N ₁	N ₂	N ₃	O
	A	B ₁	B ₂	C											
6	33	—	8	25	—	6	—	—	M3x0.5P	—	—	8.5	6.5	1.5	M3x0.5P
10	47	—	12	35	—	9	10	—	M4x0.7P	—	—	10.5	10.5	3.5	M3x0.5P
12	25	4.5	14.5	20.5	4.5	9	10	M3x0.5Px7 dp	M5x0.8P	9.8	3	7.5	—	6	M5x0.8P
16	25.2	3.7	13.7	21.5	3.7	9	10	M3x0.5Px7 dp	M5x0.8P	10	3	8	—	6.5	M5x0.8P

Unit : mm

Model Bore size	P ₄ (Mounting hole)	P ₁	P ₂	S	T ₁	T ₂	V	W
6	Thru-hole Ø2.6 , Thread M3x0.5Px5 dp ; Hole Ø5x2.6 dp ; (Both sides)	7.6	2.6	16	10	14.1	3	—
10	Thru-hole Ø2.6 , Thread M3x0.5Px5 dp ; Hole Ø5x2.6 dp ; (Both sides)	7.6	2.6	20	13.4	19	4	—
12	Thru-hole Ø4.3 , Thread M5x0.8Px6 dp ; Hole Ø6.5x4.5 dp ; (Both sides)	10.5	4.5	25	15.7	22.2	6	5
16	Thru-hole Ø4.3 , Thread M5x0.8Px6 dp ; Hole Ø6.5x4.5 dp ; (Both sides)	10.5	4.5	29	19.8	28	6	5

NA
Cartridge
Cylinder

NA2
Cartridge
Cylinder

NB
Cartridge
Cylinder

NU
Free Mount
Cylinder

ND
Free Mount
Cylinder

NQ
Free Mount
Cylinder

MSI
Mini Compact
Cylinder

JD
Compact
Cylinder

JG
Compact
Cylinder

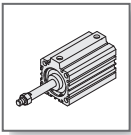
JTD
Twin-Guide
Cylinder

JTF
Twin-Guide
Cylinder

JCB
Twin-Guide
Cylinder

JCF
Twin-Guide
Cylinder

JE
Compact
Cylinder



JD series - Compact cylinder

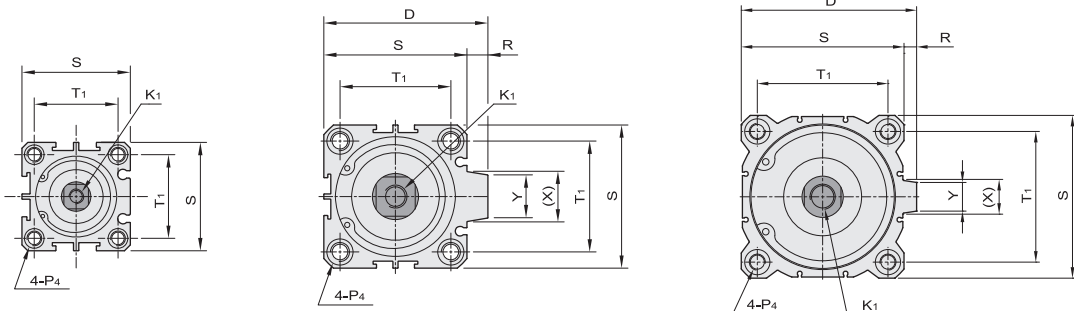
External dimension

CHELIC PNEUMATIC

JD Ø20 ~ Ø25

JD Ø32 ~ Ø100

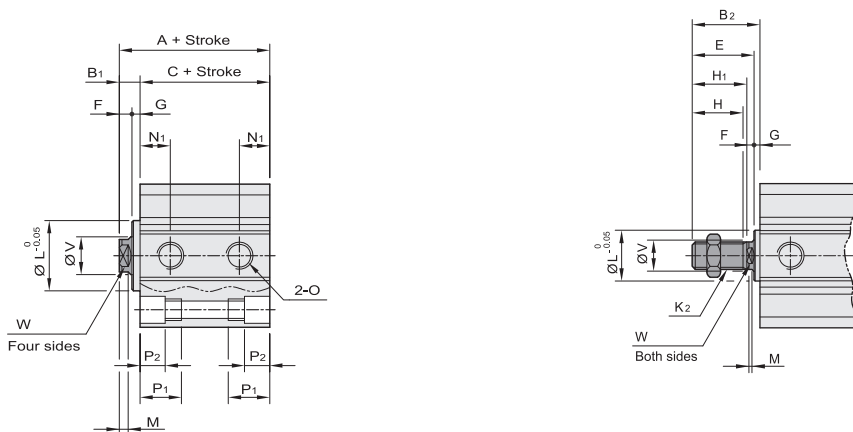
JD Ø125



※ Note : Stroke 35,45 to be added 5mm to the body length of cylinder. (Please refer to P. 3-1.36)

Female thread dimension

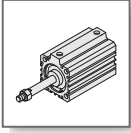
Male thread dimension



※ Note : Stroke 5, 15, 25,35,45,55 to be added 5mm to the body length of cylinder. (Please refer to P. 3-1.36) Unit : mm

Model Bore size	Standard type				D	E	F	G	H	H ₁	K ₁	K ₂	L	M	N ₁	O
	A	B ₁	B ₂	C												
20	25	5.5	19.5	19.5	—	18	4	1.5	13	14	M4x0.7Px10 dp	M6x1.0P	13	3	7.5	M5x0.8P
25	27.2	6	22	21.2	—	20.1	4.1	1.9	15	16	M5x0.8Px12 dp	M8x1.25P	17	3	8	M5x0.8P
32	31	7	24	24	50	20.7	3.7	3.3	16	17	M6x1Px14 dp	M10x1.25P	22	3	9	PT 1/8
40	33.5	7	34	26.5	58	30.7	3.7	3.3	25	27	M8x1.25Px14 dp	M14x1.5P	28	3	10	PT 1/8
50	37.6	9	36	28.6	71	32.1	5.1	3.9	25	27	M10x1.5Px15 dp	M18x1.5P	38	3	10.85	PT 1/4
63	41	8.5	35.5	32.5	84.5	31.6	4.6	3.9	25	27	M10x1.5Px15 dp	M18x1.5P	40	3	11	PT 1/4
80	52	10.7	43.7	41.3	104	38.7	5.7	5	30	33	M14x1.5Px20 dp	M22x1.5P	45	4	13	PT 3/8
100	54	8.7	41.7	45.3	124	38.7	5.7	3	30	33	M16x2Px20 dp	M22x1.5P	45	4	15	PT 3/8
125	99	16	58	83	153	—	—	—	42	45	M22x2.5Px30 dp	M30x1.5P	—	15	24.5	PT 3/8

Model Bore size	P ₄ (Mounting hole)										P ₁	P ₂	R	S	T ₁	V	W	X	Y
20	Thru-hole Ø4.3 , Thread M5x0.8Px6 dp ; Hole Ø7x5 dp ; (Both sides)										11	5	—	34	24	8	6	—	—
25	Thru-hole Ø5.1 , Thread M6x1.0Px8 dp ; Hole Ø8x6 dp ; (Both sides)										14	6	—	40	28	10	8	—	—
32	Thru-hole Ø5.1 , Thread M6x1.0Px8 dp ; Hole Ø8x6 dp ; (Both sides)										14	6	6	44	34	12	10	15	13.6
40	Thru-hole Ø6.8 , Thread M8x1.25Px10 dp ; Hole Ø10x8 dp ; (Both sides)										18	8	6	52	40	16	14	15	13.6
50	Thru-hole Ø6.8 , Thread M8x1.25Px10 dp ; Hole Ø11x8.5 dp ; (Both sides)										18.5	8.5	9	62	48	20	17	21.6	19
63	Thru-hole Ø6.8 , Thread M8x1.25Px10 dp ; Hole Ø11x8.5 dp ; (Both sides)										18.5	8.5	9.5	75	60	20	17	23.5	20.5
80	Thru-hole Ø10.4 , Thread M12x1.75Px12 dp ; Hole Ø14x10.5 dp ; (Both sides)										22.5	10.5	10	94	74	25	22	27.6	25
100	Thru-hole Ø12.5 , Thread M14x2Px15 dp ; Hole Ø18.5x13 dp ; (Both sides)										28	13	10	114	90	25	22	27.6	25
125	Thru-hole Ø12.5 , Thread M14x2Px25 dp ; Hole Ø20x13 dp ; (Both sides)										40	15	11	142	114	36	32	28.6	25

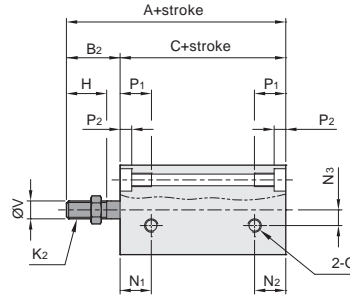
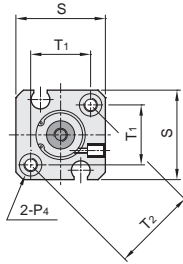


JD series - Compact cylinder double acting with magnet

External dimension - JDS

CHELIC PNEUMATIC

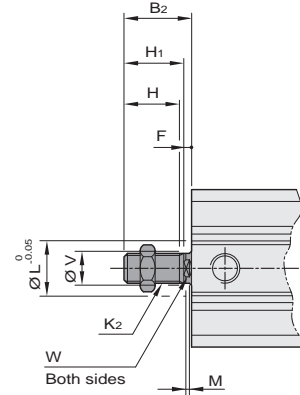
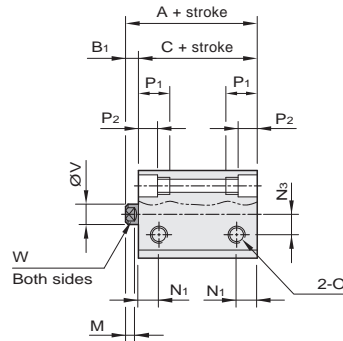
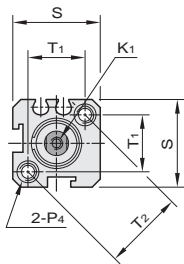
● JDS Ø6 ~ Ø10



※ Note : Standard stroke is 5, 10, 15, 20, 25, 30 (Please refer to P. 3-1.36)

● JDS Ø12 ~ Ø16

● Male thread dimension



※ Note : Stroke 5, 15, 25,35,45,55 be added 5mm to the body length of cylinder. (Please refer to P. 3-1.36)

Unit : mm

Model Bore size	Standard type		B ₁	B ₂	F	H	H ₁	K ₁	K ₂	L	M	N ₁	N ₂	N ₃	O
	A	C													
6	33	25	—	8	—	6	—	—	M3x0.5P	—	—	8.5	6.5	1.5	M3x0.5P
10	47	35	—	12	—	9	10	—	M4x0.7P	—	—	10.5	10.5	3.5	M3x0.5P
12	35	30.5	4.5	14.5	4.5	9	10	M3x0.5Px7 dp	M5x0.8P	9.8	3	7.5	7.5	6	M5x0.8P
16	35.2	31.5	3.7	13.7	3.7	9	10	M3x0.5Px7 dp	M5x0.8P	10	3	8	8	6.5	M5x0.8P

Unit : mm

Model Bore size	P ₄ (Mounting hole)							P ₁	P ₂	S	T ₁	T ₂	V	W
6	Thru-hole Ø2.6 , Thread M3x0.5Px5 dp ; Hole Ø5x2.6 dp ; (Both sides)							7.6	2.6	16	10	14.1	3	—
10	Thru-hole Ø2.6 , Thread M3x0.5Px5 dp ; Hole Ø5x2.6 dp ; (Both sides)							7.6	2.6	20	13.4	19	4	—
12	Thru-hole Ø4.3 , Thread M5x0.8Px6 dp ; Hole Ø6.5x4.5 dp ; (Both sides)							10.5	4.5	25	15.7	22.2	6	5
16	Thru-hole Ø4.3 , Thread M5x0.8Px6 dp ; Hole Ø6.5x4.5 dp ; (Both sides)							10.5	4.5	29	19.8	28	6	5

NA
Cartridge
Cylinder

NA2
Cartridge
Cylinder

NB
Cartridge
Cylinder

NU
Free Mount
Cylinder

ND
Free Mount
Cylinder

NQ
Free Mount
Cylinder

MSI
Mini
Compact
Cylinder

JD
Compact
Cylinder

JG
Compact
Cylinder

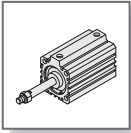
JTD
Twin-Guide
Cylinder

JTF
Twin-Guide
Cylinder

JCB
Twin-Guide
Cylinder

JCF
Twin-Guide
Cylinder

JE
Compact
Cylinder



JD series - Compact cylinder double acting with magnet

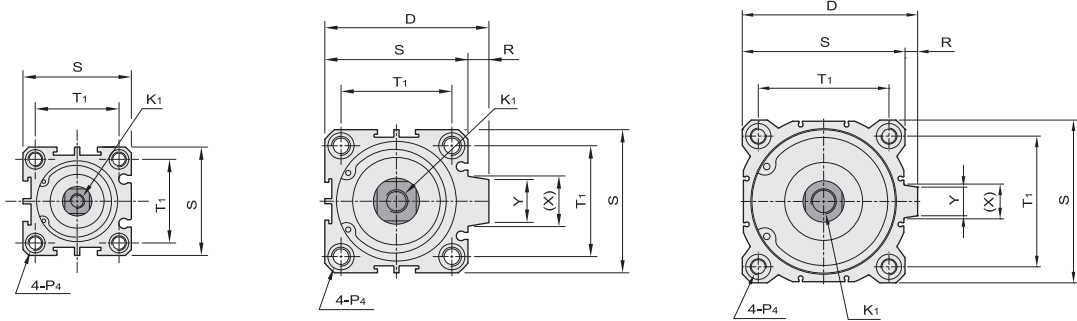
External dimension - JDS

CHELIC PNEUMATIC

☉ JDS Ø20 ~ Ø25

☉ JDS Ø32 ~ Ø100

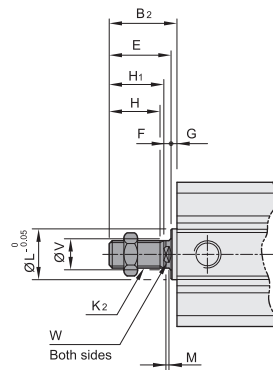
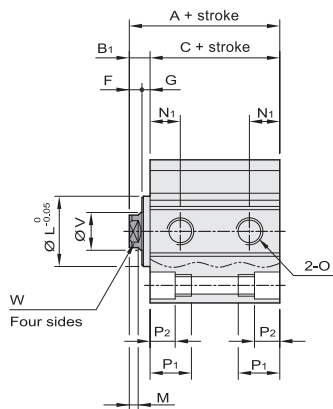
☉ JDS Ø125



※ Note : Stroke 25,35 to be added 5mm to the body length of cylinder. (Please refer to P. 3-1.36)

☉ Female thread dimension

☉ Male thread dimension



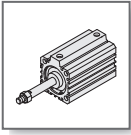
※ Note : Stroke 5, 15, 25,35,45 to be added 5mm to the body length of cylinder. (Please refer to P. 3-1.36)

Unit : mm

Bore size	Model		Standard type		B1	B2	D	E	F	G	H	H1	K1	K2	L	M	N1	O
	A	C																
20	35	29.5	5.5	19.5	—	18	4	1.5	13	14	M4x0.7Px10 dp	M6x1.0P	13	3	7.5	M5x0.8P		
25	37.2	31.2	6	22	—	20.1	4.1	1.9	15	16	M5x0.8Px12 dp	M8x1.25P	17	3	8	M5x0.8P		
32	41	34	7	24	50	20.7	3.7	3.3	16	17	M6x1.0Px14 dp	M10x1.25P	22	3	9	PT 1/8		
40	43.5	36.5	7	34	58	30.7	3.7	3.3	25	27	M8x1.25Px14 dp	M14x1.5P	28	3	10	PT 1/8		
50	47.6	38.6	9	36	71	32.1	5.1	3.9	25	27	M10x1.5Px15 dp	M18x1.5P	38	3	10.85	PT 1/4		
63	51	42.5	8.5	35.5	84.5	31.6	4.6	3.9	25	27	M10x1.5Px15 dp	M18x1.5P	40	3	11	PT 1/4		
80	62	51.3	10.7	43.7	104	38.7	5.7	5	30	33	M14x1.5Px20 dp	M22x1.5P	45	4	13	PT 3/8		
100	64	55.3	8.7	41.7	124	38.7	5.7	3	30	33	M16x2.0Px20 dp	M22x1.5P	45	4	15	PT 3/8		
125	99	83	16	58	153	—	—	—	42	45	M22x2.5Px30 dp	M30x1.5P	—	15	24.5	PT 3/8		

Unit : mm

Bore size	Model	P4 (Mounting hole)								P1	P2	R	S	T1	V	W	X	Y
20		Thru-hole Ø4.3 , Thread M5x0.8Px6 dp ; Hole Ø7x5 dp ; (Both sides)								11	5	—	34	24	8	6	—	—
25		Thru-hole Ø5.1 , Thread M6x1.0Px8 dp ; Hole Ø8x6 dp ; (Both sides)								14	6	—	40	28	10	8	—	—
32		Thru-hole Ø5.1 , Thread M6x1.0Px8 dp ; Hole Ø8x6 dp ; (Both sides)								14	6	6	44	34	12	10	15	13.6
40		Thru-hole Ø6.8 , Thread M8x1.25Px10 dp ; Hole Ø10x8 dp ; (Both sides)								18	8	6	52	40	16	14	15	13.6
50		Thru-hole Ø6.8 , Thread M8x1.25Px10 dp ; Hole Ø11x8.5 dp ; (Both sides)								18.5	8.5	9	62	48	20	17	21.6	19
63		Thru-hole Ø6.8 , Thread M8x1.25Px10 dp ; Hole Ø11x8.5 dp ; (Both sides)								18.5	8.5	9.5	75	60	20	17	23.5	20.5
80		Thru-hole Ø10.4 , Thread M12x1.75Px12 dp ; Hole Ø14x10.5 dp ; (Both sides)								22.5	10.5	10	94	74	25	22	27.6	25
100		Thru-hole Ø12.5 , Thread M14x2.0Px15 dp ; Hole Ø18.5x13 dp ; (Both sides)								28	13	10	114	90	25	22	27.6	25
125		Thru-hole Ø12.5 , Thread M14x2.0Px25 dp ; Hole Ø120x13 dp ; (Both sides)								40	15	11	142	114	36	32	28.6	25



JSI series - Compact cylinder

External dimension (Normal in)

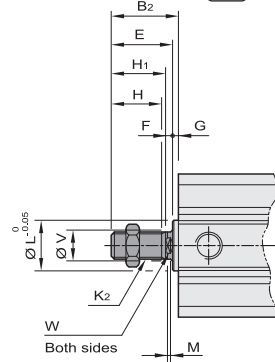
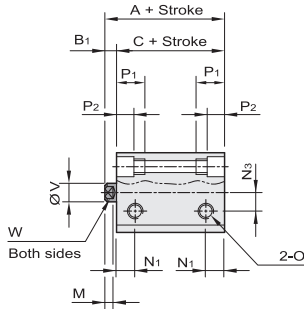
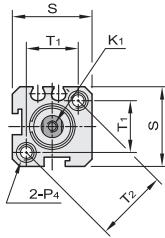
CHELIC PNEUMATIC

JSI Ø12 ~ Ø16

Male thread dimension

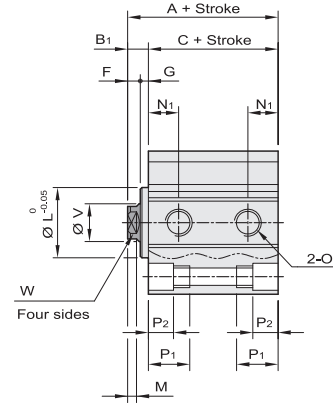
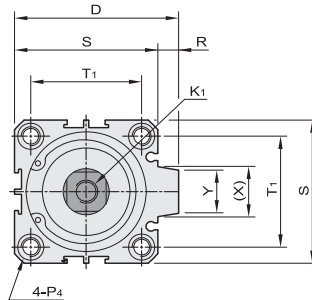
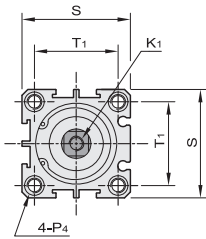


JSI □ x □ ST



JSI Ø20 ~ Ø25

JSI Ø32 ~ Ø50



Note : Stroke 5, 15, 25 to be added 5mm to the body length of cylinder.
(Please refer to P. 3-1.36)

Unit : mm

Model	Standard type				With magnet				B1	B2	D	E	F	G	H	H1	K1	K2	L	M	N1	N3	O
	Stroke	5 ~ 15	20 ~ 30	5, 10	20																		
Bore size	A	C	A	C	A	C	A	C															
12	35	30.5	35	30.5	45	40.5	45	40.5	4.5	14.5	—	14.5	4.5	—	9	10	M3x0.5Px7 dp	M5x0.8P	9.8	3	7.5	6	M5x0.8P
16	35.2	31.5	35.2	31.5	45.2	41.5	45.2	41.5	3.7	13.7	—	13.7	3.7	—	9	10	M3x0.5Px7 dp	M5x0.8P	10	3	8	6.5	M5x0.8P
20	35	29.5	35	29.5	45	39.5	45	39.5	5.5	19.5	—	18	4	1.5	13	14	M4x0.7Px10 dp	M6x1P	13	3	7.5	—	M5x0.8P
25	37.2	31.2	37.2	31.2	47.2	41.2	47.2	41.2	6	22	—	20.1	4.1	1.9	15	16	M5x0.8Px12 dp	M8x1.25P	17	3	8	—	M5x0.8P
32	41	34	41	34	51	44	51	44	7	24	50	20.7	3.7	3.3	16	17	M6x1Px14 dp	M10x1.25P	22	3	9	—	PT 1/8
40	43.5	36.5	43.5	36.5	53.5	46.5	53.5	46.5	7	34	58	30.7	3.7	3.3	25	27	M8x1.25Px14 dp	M14x1.5P	28	3	10	—	PT 1/8
50	47.6	38.6	47.6	38.6	57.6	48.6	57.6	48.6	9	36	71	32.1	5.1	3.9	25	27	M10x1.5Px15 dp	M18x1.5P	38	3	10.85	—	PT 1/4

Bore size	Model	P4 (Mounting hole)										P1	P2	R	S	T1	T2	V	W	X	Y
12		Thru-hole Ø4.3 , Thread M5x0.8Px6 dp ; Hole Ø6.5x4.5 dp ; (Both sides)										10.5	4.5	—	25	15.7	22.2	6	5	—	—
16		Thru-hole Ø4.3 , Thread M5x0.8Px6 dp ; Hole Ø6.5x4.5 dp ; (Both sides)										10.5	4.5	—	29	19.8	28	6	5	—	—
20		Thru-hole Ø4.3 , Thread M5x0.8Px6 dp ; Hole Ø7x5 dp ; (Both sides)										11	5	—	34	24	—	8	6	—	—
25		Thru-hole Ø5.1 , Thread M6x1Px8 dp ; Hole Ø8x6 dp ; (Both sides)										14	6	—	40	28	—	10	8	—	—
32		Thru-hole Ø5.1 , Thread M6x1Px8 dp ; Hole Ø8x6 dp ; (Both sides)										14	6	6	44	34	—	12	10	15	13.6
40		Thru-hole Ø6.8 , Thread M8x1.25Px10 dp ; Hole Ø10x8 dp ; (Both sides)										18	8	6	52	40	—	16	14	15	13.6
50		Thru-hole Ø6.8 , Thread M8x1.25Px10 dp ; Hole Ø11x8.5 dp ; (Both sides)										18.5	8.5	9	62	48	—	20	17	21.6	19

NA
Cartridge
Cylinder

NA2
Cartridge
Cylinder

NB
Cartridge
Cylinder

NU
Free Mount
Cylinder

ND
Free Mount
Cylinder

NQ
Free Mount
Cylinder

MSI
Mini
Compact
Cylinder

JD
Compact
Cylinder

JG
Compact
Cylinder

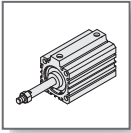
JTD
Twin-Guide
Cylinder

JTF
Twin-Guide
Cylinder

JCB
Twin-Guide
Cylinder

JCF
Twin-Guide
Cylinder

JE
Compact
Cylinder



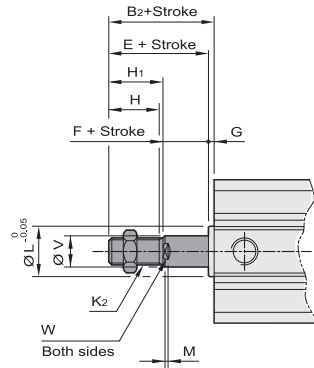
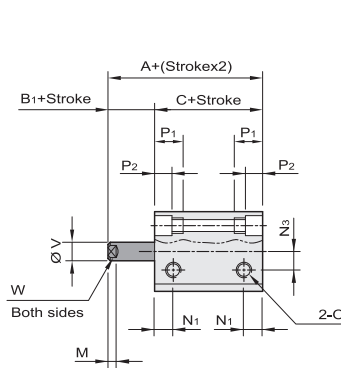
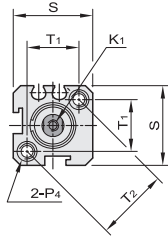
JSO series - Compact cylinder

External dimension (Normal out)

CHELIC PNEUMATIC

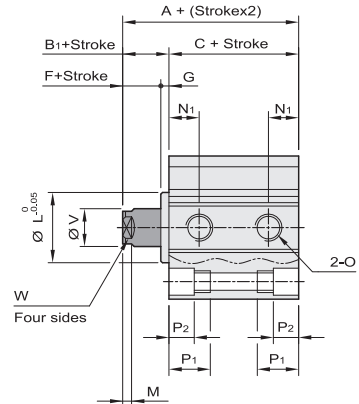
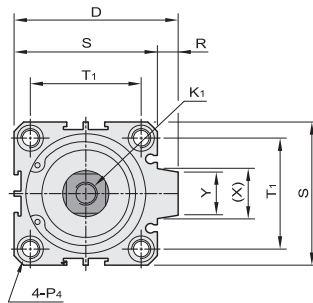
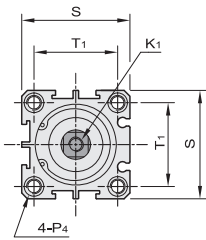
● JSO Ø12 ~ Ø16

● Male thread dimension JSO □ x □ ST



● JSO Ø20 ~ Ø25

● JSO Ø32 ~ Ø50

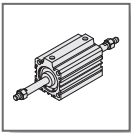


Note : Stroke 5, 15, 25 to be added 5mm to the body length of cylinder.
(Please refer to P. 3-1.36)

Unit : mm

Model	Standard type				With magnet				B ₁	B ₂	D	E	F	G	H	H ₁	K ₁	K ₂	L	M	N ₁	N ₃	O
	Stroke 5 ~ 15		20 ~ 30		5, 10		20																
Bore size	A	C	A	C	A	C	A	C															
12	35	30.5	35	30.5	45	40.5	45	40.5	4.5	14.5	—	14.5	4.5	—	9	10	M3x0.5Px7 dp	M5x0.8P	9.8	3	7.5	6	M5x0.8P
16	35.2	31.5	35.2	31.5	45.2	41.5	45.2	41.5	3.7	13.7	—	13.7	3.7	—	9	10	M3x0.5Px7 dp	M5x0.8P	10	3	8	6.5	M5x0.8P
20	35	29.5	35	29.5	45	39.5	45	39.5	5.5	19.5	—	18	4	1.5	13	14	M4x0.7Px10 dp	M6x1P	13	3	7.5	—	M5x0.8P
25	37.2	31.2	37.2	31.2	47.2	41.2	47.2	41.2	6	22	—	20.1	4.1	1.9	15	16	M5x0.8Px12 dp	M8x1.25P	17	3	8	—	M5x0.8P
32	41	34	41	34	51	44	51	44	7	24	50	20.7	3.7	3.3	16	17	M6x1Px14 dp	M10x1.25P	22	3	9	—	PT 1/8
40	43.5	36.5	43.5	36.5	53.5	46.5	53.5	46.5	7	34	58	30.7	3.7	3.3	25	27	M8x1.25Px14 dp	M14x1.5P	28	3	10	—	PT 1/8
50	47.6	38.6	47.6	38.6	57.6	48.6	57.6	48.6	9	36	71	32.1	5.1	3.9	25	27	M10x1.5Px15 dp	M18x1.5P	38	3	10.85	—	PT 1/4

Bore size	Model	P ₄ (Mounting hole)											P ₁	P ₂	R	S	T ₁	T ₂	V	W	X	Y
12		Thru-hole Ø4.3 , Thread M5x0.8Px6 dp ; Hole Ø6.5x4.5 dp ; (Both sides)											10.5	4.5	—	25	15.7	22.2	6	5	—	—
16		Thru-hole Ø4.3 , Thread M5x0.8Px6 dp ; Hole Ø6.5x4.5 dp ; (Both sides)											10.5	4.5	—	29	19.8	28	6	5	—	—
20		Thru-hole Ø4.3 , Thread M5x0.8Px6 dp ; Hole Ø7x5 dp ; (Both sides)											11	5	—	34	24	—	8	6	—	—
25		Thru-hole Ø5.1 , Thread M6x1Px8 dp ; Hole Ø8x6 dp ; (Both sides)											14	6	—	40	28	—	10	8	—	—
32		Thru-hole Ø5.1 , Thread M6x1Px8 dp ; Hole Ø8x6 dp ; (Both sides)											14	6	6	44	34	—	12	10	15	13.6
40		Thru-hole Ø6.8 , Thread M8x1.25Px10 dp ; Hole Ø10x8 dp ; (Both sides)											18	8	6	52	40	—	16	14	15	13.6
50		Thru-hole Ø6.8 , Thread M8x1.25Px10 dp ; Hole Ø11x8.5 dp ; (Both sides)											18.5	8.5	9	62	48	—	20	17	21.6	19

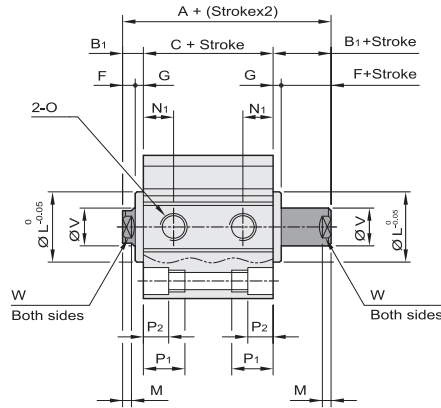
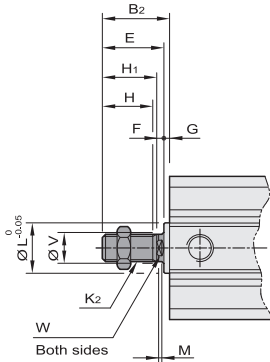


JDD series - Compact cylinder

External dimension

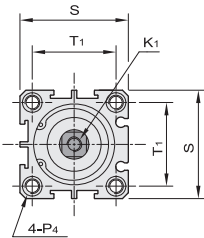
CHELIC PNEUMATIC

Male thread dimension

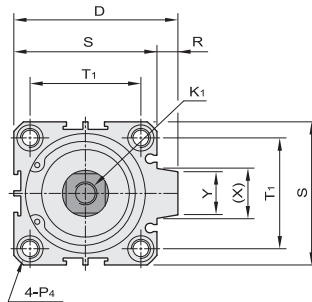


※ Note : Stroke 35,45,55 to be added 5mm to the body length of cylinder. (Please refer to P. 3-1.36)

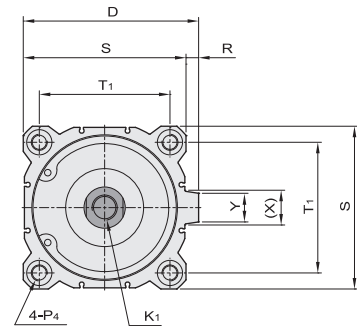
JDD Ø20 ~ Ø25



JDD Ø32 ~ Ø100



JDD Ø125



※ Note : Stroke 5, 15, 25,35,45,55 to be added 5mm to the body length of cylinder. (Please refer to P. 3-1.36)

Unit : mm

Bore size	Model		Standard type		With magnet		B ₁	B ₂	D	E	F	G	H	H ₁	K ₁	K ₂	L	M	N ₁	O
	A	C	A	C																
20	30.5	19.5	40.5	29.5	5.5	19.5	—	18	4	1.5	13	14	M4x0.7Px10 dp	M6x1P	13	3	7.5	M5x0.8P		
25	33.2	21.2	43.2	31.2	6	22	—	20.1	4.1	1.9	15	16	M5x0.8Px12 dp	M8x1.25P	17	3	8	M5x0.8P		
32	38	24	48	34	7	24	50	20.7	3.7	3.3	16	17	M6x1.0Px14 dp	M10x1.25P	22	3	9	PT 1/8		
40	40.5	26.5	50.5	36.5	7	34	58	30.7	3.7	3.3	25	27	M8x1.25Px14 dp	M14x1.5P	28	3	10	PT 1/8		
50	46.5	28.6	56.6	38.6	9	36	71	32.1	5.1	3.9	25	27	M10x1.5Px15 dp	M18x1.5P	38	3	10.85	PT 1/4		
63	49.5	32.5	59.5	42.5	8.5	35.5	84.5	31.6	4.6	3.9	25	27	M10x1.5Px15 dp	M18x1.5P	40	3	11	PT 1/4		
80	62.7	41.3	72.7	51.3	10.7	10.7	104	38.7	5.7	5	30	33	M14x1.5Px20 dp	M22x1.5P	45	4	13	PT 3/8		
100	62.7	45.3	72.7	55.3	8.7	8.7	124	38.7	5.7	3	30	33	M16x2.0Px30 dp	M22x1.5P	45	4	15	PT 3/8		
125	115	83	125	93	16	58	153	—	—	—	42	45	M22x2.5Px30 dp	M30x1.5P	45	15	24.5	PT 3/8		

Bore size	Model	P ₄ (Mounting hole)									P ₁	P ₂	R	S	T ₁	V	W	X	Y
20		Thru-hole Ø4.3, Thread M5x0.8Px6 dp ; Hole Ø7x5 dp ; (Both sides)									11	5	—	34	24	8	6	—	—
25		Thru-hole Ø5.1, Thread M6x1.0Px8 dp ; Hole Ø8x6 dp ; (Both sides)									14	6	—	40	28	10	8	—	—
32		Thru-hole Ø5.1, Thread M6x1.0Px8 dp ; Hole Ø8x6 dp ; (Both sides)									14	6	6	44	34	12	10	15	13.6
40		Thru-hole Ø6.8, Thread M8x1.25Px10 dp ; Hole Ø10x8 dp ; (Both sides)									18	8	6	52	40	16	14	15	13.6
50		Thru-hole Ø6.8, Thread M8x1.25Px10 dp ; Hole Ø11x8.5 dp ; (Both sides)									18.5	8.5	9	62	48	20	17	21.6	19
63		Thru-hole Ø6.8, Thread M8x1.25Px10 dp ; Hole Ø11x8.5 dp ; (Both sides)									18.5	8.5	9.5	75	60	20	17	23.5	20.5
80		Thru-hole Ø10.4, Thread M12x1.75Px12 dp ; Hole Ø14x10.5 dp ; (Both sides)									22.5	10.5	10	94	74	25	22	27.6	25
100		Thru-hole Ø12.5, Thread M14x2.0Px15 dp ; Hole Ø18.5x13 dp ; (Both sides)									28	13	10	114	90	25	22	27.6	25
125		Thru-hole Ø12.5, Thread M14x2.0Px25 dp ; Hole Ø20x13 dp ; (Both sides)									40	15	11	142	114	36	32	28.6	25

NA
Cartridge
Cylinder

NA2
Cartridge
Cylinder

NB
Cartridge
Cylinder

NU
Free Mount
Cylinder

ND
Free Mount
Cylinder

NQ
Free Mount
Cylinder

MSI
Mini
Compact
Cylinder

JD
Compact
Cylinder

JG
Compact
Cylinder

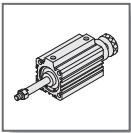
JTD
Twin-Guide
Cylinder

JTF
Twin-Guide
Cylinder

JCB
Twin-Guide
Cylinder

JCF
Twin-Guide
Cylinder

JE
Compact
Cylinder

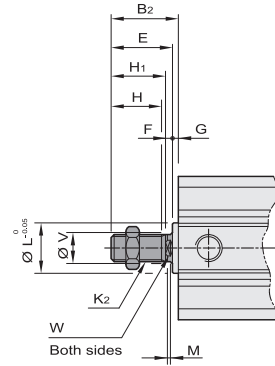
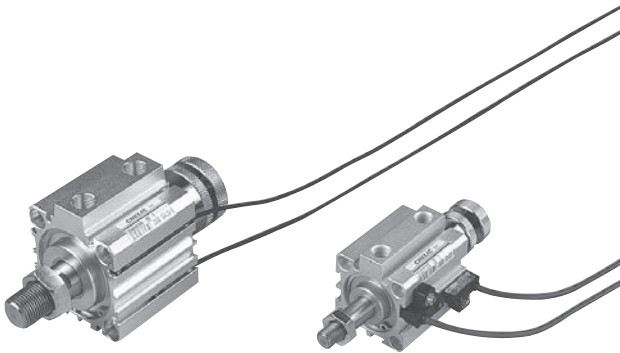


JDAR series - Compact cylinder (Adjustable stroke 10mm)

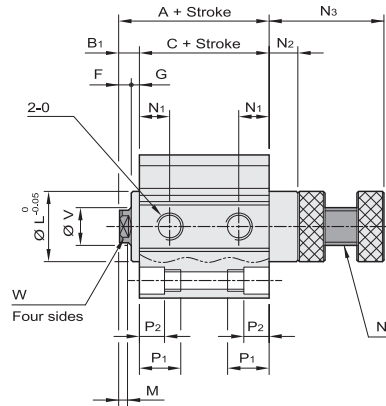
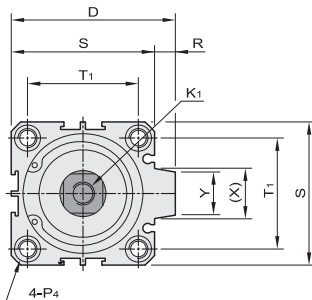
External dimension

CHELIC PNEUMATIC

Male thread dimension  JDAR □ x □ ST



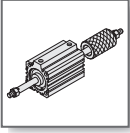
JDAR Ø20 ~ Ø63



※ Note : 1. Stroke adjustable 10mm
2. Stroke 5, 15, 25,35,45,55 to be added 5mm to the body length of cylinder. (Please refer to P. 3-1.36) Unit : mm

Bore size	Model		Standard type		With magnet		B ₁	B ₂	D	E	F	G	H	H ₁	K ₁	K ₂	L	M	N ₁	N ₂	N ₃	N ₄
	A	C	A	C																		
20	25	19.5	35	29.5	5.5	19.5	—	18	4	1.5	13	14	M4x0.7Px10 dp	M6x1P	13	3	7.5	15.3	38.3	M8x1.25P		
25	27.5	21.2	37.2	31.2	6	22	—	20.1	4.1	1.9	15	16	M5x0.8Px12 dp	M8x1.25P	17	3	8	14.9	37.9	M8x1.25P		
32	31	24	41	34	7	24	50	20.7	3.7	3.3	16	17	M6x1Px14 dp	M10x1.25P	22	3	9	17	43.1	M10x1.5P		
40	33.5	26.5	43.5	36.5	7	34	58	30.7	3.7	3.3	25	27	M8x1.25Px14 dp	M14x1.5P	28	3	10	16.3	42.3	M10x1.5P		
50	37.6	28.6	47.6	38.6	9	36	71	32.1	5.1	3.9	25	27	M10x1.5Px15 dp	M18x1.5P	38	3	10.85	20.7	50.7	M16x1.5P		
63	41	32.5	51	42.5	8.5	35.5	84.5	31.6	4.6	3.9	25	27	M10x1.5Px15 dp	M18x1.5P	40	3	11	19.8	49.8	M16x1.5P		

Bore size	Model	O	P ₄ (Mounting hole)							P ₁	P ₂	R	S	T ₁	V	W	X	Y
20	M5X0.8P	Thru-hole Ø4.3 , Thread M5x0.8Px6 dp ; Hole Ø7x5 dp ; (Both sides)	11	5	—	34	24	8	6	—	—	—	—					
25	M5X0.8P	Thru-hole Ø5.1 , Thread M6x1Px8 dp ; Hole Ø8x6 dp ; (Both sides)	14	6	—	40	28	10	8	—	—	—						
32	PT 1/8	Thru-hole Ø5.1 , Thread M6x1Px8 dp ; Hole Ø8x6 dp ; (Both sides)	14	6	6	44	34	12	10	15	13.6	—						
40	PT 1/8	Thru-hole Ø6.8 , Thread M8x1.25Px10 dp ; Hole Ø10x8 dp ; (Both sides)	18	8	6	52	40	16	14	15	13.6	—						
50	PT 1/4	Thru-hole Ø6.8 , Thread M8x1.25Px10 dp ; Hole Ø11x8.5 dp ; (Both sides)	18.5	8.5	9	62	48	20	17	21.6	19	—						
63	PT 1/4	Thru-hole Ø6.8 , Thread M8x1.25Px10 dp ; Hole Ø11x8.5 dp ; (Both sides)	18.5	8.5	9.5	75	60	20	17	23.5	20.5	—						



JDAD series - Compact cylinder (Adjustable stroke 25mm)

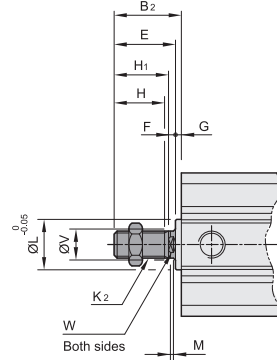
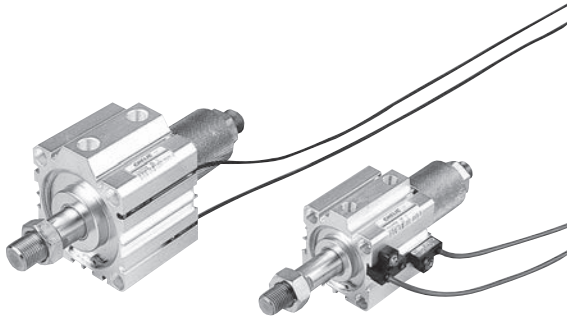
External dimension

CHELIC PNEUMATIC

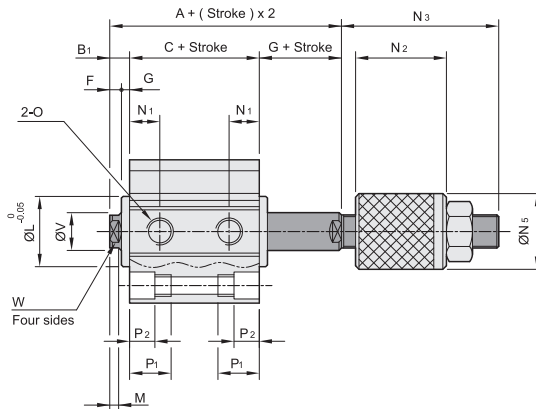
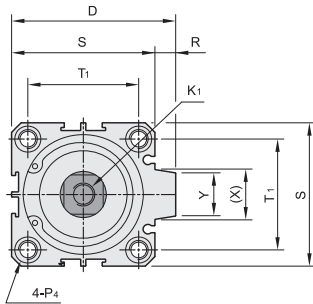
Male thread dimension



JDAD MST



JDAD Ø20 ~ Ø100



※ Note : Standard stroke 30mm (stroke adjustable 25mm)

Unit : mm

Bore size	Model		Standard type		With magnet		B ₁	B ₂	D	E	F	G	H	H ₁	K ₁	K ₂	L	M	N ₁	N ₂	N ₃	N ₅
	A	C	A	C																		
20	26.5	19.5	36.5	29.5	5.5	19.5	—	18	4	1.5	13	14	M4x0.7Px10 dp	M6x1P	13	3	7.5	31	39.5	16		
25	29.1	21.2	39.1	31.2	6	22	—	20.1	4.1	1.9	15	16	M5x0.8Px12 dp	M8x1.25P	17	3	8	33	43	20		
32	34.3	24	44.3	34	7	24	50	20.7	3.7	3.3	16	17	M6x1Px14 dp	M10x1.25P	22	3	9	33	44.5	25		
40	36.8	26.5	46.8	36.5	7	34	58	30.7	3.7	3.3	25	27	M8x1.25Px14 dp	M14x1.5P	28	3	10	35	50	32		
50	41.5	28.6	51.5	38.6	9	36	71	32.1	5.1	3.9	25	27	M10x1.5Px15 dp	M18x1.5P	38	3	10.85	37	57	36		
63	44.9	32.5	54.9	42.5	8.5	35.5	84.5	31.6	4.6	3.9	25	27	M10x1.5Px15 dp	M18x1.5P	40	3	11	37	57	36		
80	57	41.3	67	51.3	10.7	43.7	104	38.7	5.7	5	30	33	M14x1.5Px20 dp	M22x1.5P	45	4	13	37	59.5	44		
100	57	45.3	67	55.3	8.7	41.7	124	38.7	5.7	3	30	33	M16x2.0Px20 dp	M22x1.5P	45	4	15	37	59.5	44		

Bore size	Model	O	P ₄ (Mounting hole)							P ₁	P ₂	R	S	T ₁	V	W	X	Y
20	M5X0.8	Thru-hole Ø4.3 , Thread M5x0.8Px6 dp ; Hole Ø7x5 dp ; (Both sides)							11	5	—	34	24	8	6	—	—	
25	M5X0.8	Thru-hole Ø5.1 , Thread M6x1Px8 dp ; Hole Ø8x6 dp ; (Both sides)							14	6	—	40	28	10	8	—	—	
32	PT 1/8	Thru-hole Ø5.1 , Thread M6x1Px8 dp ; Hole Ø8x6 dp ; (Both sides)							14	6	6	44	34	12	10	15	13.6	
40	PT 1/8	Thru-hole Ø6.8 , Thread M8x1.25Px10 dp ; Hole Ø10x8 dp ; (Both sides)							18	8	6	52	40	16	14	15	13.6	
50	PT 1/4	Thru-hole Ø6.8 , Thread M8x1.25Px10 dp ; Hole Ø11x8.5 dp ; (Both sides)							18.5	8.5	9	62	48	20	17	21.6	19	
63	PT 1/4	Thru-hole Ø6.8 , Thread M8x1.25Px10 dp ; Hole Ø11x8.5 dp ; (Both sides)							18.5	8.5	9.5	75	60	20	17	23.5	20.5	
80	PT 3/8	Thru-hole Ø10.4 , Thread M12x1.75Px12 dp ; Hole Ø14x10.5 dp ; (Both sides)							22.5	10.5	10	94	74	25	22	27.6	25	
100	PT 3/8	Thru-hole Ø12.5 , Thread M14x2Px15 dp ; Hole Ø18.5x13 dp ; (Both sides)							28	13	10	114	90	25	22	27.6	25	

NA
Cartridge
Cylinder

NA2
Cartridge
Cylinder

NB
Cartridge
Cylinder

NU
Free Mount
Cylinder

ND
Free Mount
Cylinder

NQ
Free Mount
Cylinder

MSI
Mini Compact
Cylinder

JD
Compact
Cylinder

JG
Compact
Cylinder

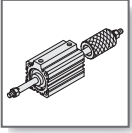
JTD
Twin-Guide
Cylinder

JTF
Twin-Guide
Cylinder

JCB
Twin-Guide
Cylinder

JCF
Twin-Guide
Cylinder

JE
Compact
Cylinder



JDAD series - Compact cylinder (Adjustable stroke 40mm)

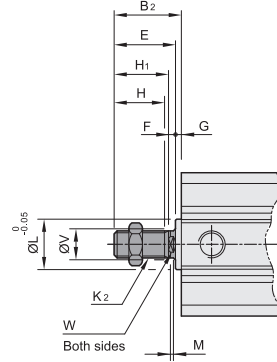
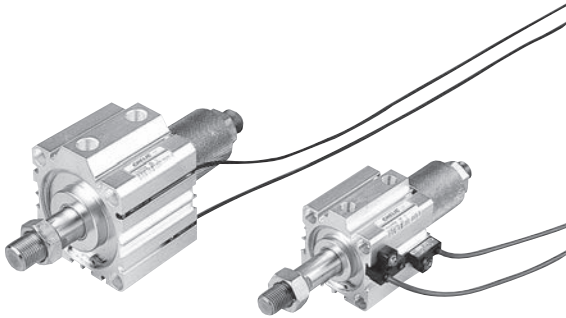
External dimension

CHELIC PNEUMATIC

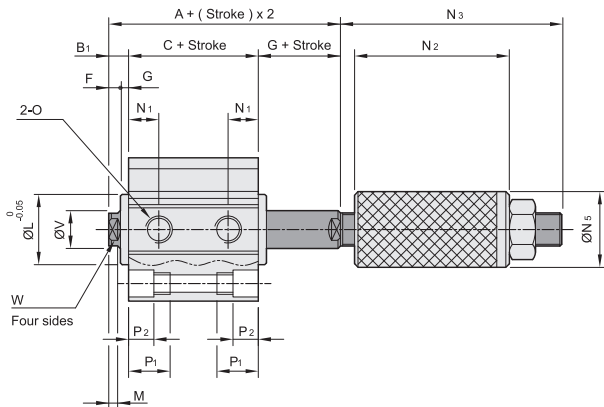
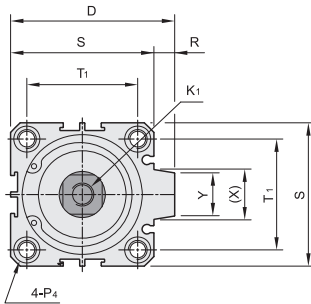
Male thread dimension



JDAD MST



JDAD Ø20 ~ Ø100

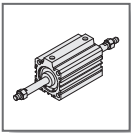


※ Note : Standard stroke 50、75、100 mm (stroke adjustable 40mm)

Unit : mm

Bore size	Model		Standard type		With magnet		B ₁	B ₂	D	E	F	G	H	H ₁	K ₁	K ₂	L	M	N ₁	N ₂	N ₃	N ₅
	A	C	A	C																		
20	26.5	19.5	36.5	29.5	5.5	19.5	—	18	4	1.5	13	14	M4x0.7Px10 dp	M6x1P	13	3	7.5	56	64.5	16		
25	29.1	21.2	39.1	31.2	6	22	—	20.1	4.1	1.9	15	16	M5x0.8Px12 dp	M8x1.25P	17	3	8	58	68	20		
32	34.3	24	44.3	34	7	24	50	20.7	3.7	3.3	16	17	M6x1Px14 dp	M10x1.25P	22	3	9	58	69.5	25		
40	36.8	26.5	46.8	36.5	7	34	58	30.7	3.7	3.3	25	27	M8x1.25Px14 dp	M14x1.5P	28	3	10	60	75	32		
50	41.5	28.6	51.5	38.6	9	36	71	32.1	5.1	3.9	25	27	M10x1.5Px15 dp	M18x1.5P	38	3	10.85	62	82	36		
63	44.9	32.5	54.9	42.5	8.5	35.5	84.5	31.6	4.6	3.9	25	27	M10x1.5Px15 dp	M18x1.5P	40	3	11	62	82	36		
80	57	41.3	67	51.3	10.7	43.7	104	38.7	5.7	5	30	33	M14x1.5Px20 dp	M22x1.5P	45	4	13	62	84.5	44		
100	57	45.3	67	55.3	8.7	41.7	124	38.7	5.7	3	30	33	M16x2.0Px20 dp	M22x1.5P	45	4	15	62	84.5	44		

Bore size	Model	O	P ₄ (Mounting hole)					P ₁	P ₂	R	S	T ₁	V	W	X	Y
20	M5X0.8P	Thru-hole Ø4.3, Thread M5x0.8Px6 dp; Hole Ø7x5 dp; (Both sides)					11	5	—	34	24	8	6	—	—	
25	M5X0.8P	Thru-hole Ø5.1, Thread M6x1Px8 dp; Hole Ø8x6 dp; (Both sides)					14	6	—	40	28	10	8	—	—	
32	PT 1/8	Thru-hole Ø5.1, Thread M6x1Px8 dp; Hole Ø8x6 dp; (Both sides)					14	6	6	44	34	12	10	15	13.6	
40	PT 1/8	Thru-hole Ø6.8, Thread M8x1.25Px10 dp; Hole Ø10x8 dp; (Both sides)					18	8	6	52	40	16	14	15	13.6	
50	PT 1/4	Thru-hole Ø6.8, Thread M8x1.25Px10 dp; Hole Ø11x8.5 dp; (Both sides)					18.5	8.5	9	62	48	20	17	21.6	19	
63	PT 1/4	Thru-hole Ø6.8, Thread M8x1.25Px10 dp; Hole Ø11x8.5 dp; (Both sides)					18.5	8.5	9.5	75	60	20	17	23.5	20.5	
80	PT 3/8	Thru-hole Ø10.4, Thread M12x1.75Px12 dp; Hole Ø14x10.5 dp; (Both sides)					22.5	10.5	10	94	74	25	22	27.6	25	
100	PT 3/8	Thru-hole Ø12.5, Thread M14x2Px15 dp; Hole Ø18.5x13 dp; (Both sides)					28	13	10	114	90	25	22	27.6	25	

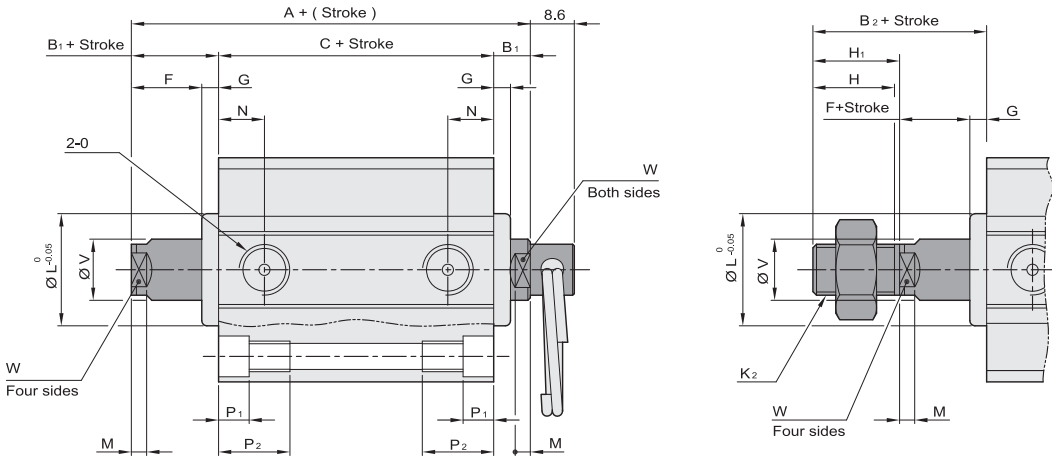


JDDSO series - Compact cylinder (Normal out)

External dimension

CHELIC PNEUMATIC

Female thread dimension



NA
Cartridge
Cylinder

NA2
Cartridge
Cylinder

NB
Cartridge
Cylinder

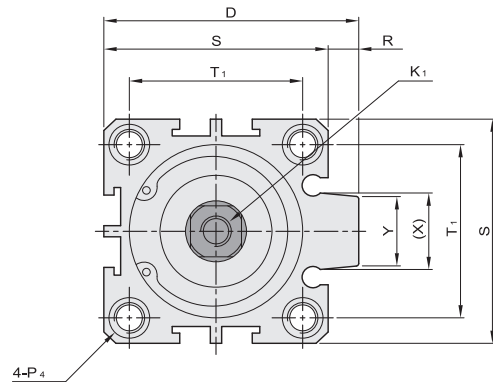
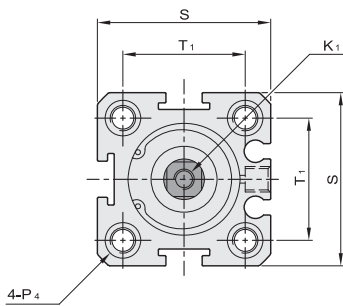
NU
Free Mount
Cylinder

ND
Free Mount
Cylinder

NQ
Free Mount
Cylinder

JDDSO Ø20 ~ Ø25

JDDSO Ø32 ~ Ø50



MSI
Mini
Compact
Cylinder

JD
Compact
Cylinder

JG
Compact
Cylinder

JTD
Twin-Guide
Cylinder

JTF
Twin-Guide
Cylinder

JCB
Twin-Guide
Cylinder

JCF
Twin-Guide
Cylinder

JE
Compact
Cylinder

Note : All stroke with magnet. Stroke 5, 15, 25 to be added 5mm to the body length of cylinder. (Please refer to P. 3-1.36) Unit : mm

Model Bore size	Stroke		B1	B2	D	F	G	H	H1	K1	K2	L	M	N	O
	10,20,30														
	A	C													
20	50.5	39.5	5.5	19.5	—	4	1.5	13	14	M4x0.7Px10 dp	M6x1P	13	3	7.5	M5x0.8P
25	53.2	41.2	6	22	—	4.1	1.9	15	16	M5x0.8Px12 dp	M8x1.25P	17	3	8	M5x0.8P
32	58	44	7	24	50	3.7	3.3	16	17	M6x1Px14 dp	M10x1.25P	22	3	9	PT 1/8
40	60.5	46.5	7	34	58	3.7	3.3	25	27	M8x1.25Px14 dp	M14x1.5P	28	3	10	PT 1/8
50	66.6	48.6	9	36	71	5.1	3.9	25	27	M10x1.5Px15 dp	M18x1.5P	38	3	10.85	PT 1/4

Model Bore size	P4 (Mounting hole)	P1	P2	R	S	T1	V	W	X	Y
20	Thru-hole Ø4.3 , Thread M5x0.8Px6 dp ; Hole Ø7x5 dp ; (Both sides)	11	5	—	34	24	8	6	—	—
25	Thru-hole Ø5.1 , Thread M6x1Px8 dp ; Hole Ø8x6 dp ; (Both sides)	14	6	—	40	28	10	8	—	—
32	Thru-hole Ø5.1 , Thread M6x1Px8 dp ; Hole Ø8x6 dp ; (Both sides)	14	6	6	44	34	12	10	15	13.6
40	Thru-hole Ø6.8 , Thread M8x1.25Px10 dp ; Hole Ø10x8 dp ; (Both sides)	18	8	6	52	40	16	14	15	13.6
50	Thru-hole Ø6.8 , Thread M8x1.25Px10 dp ; Hole Ø11x8.5 dp ; (Both sides)	18.5	8.5	9	62	48	20	17	21.6	19