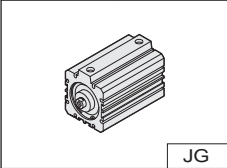
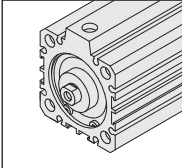
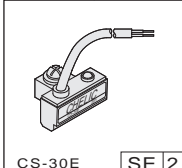
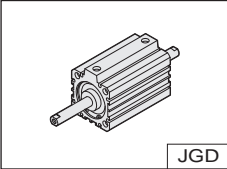
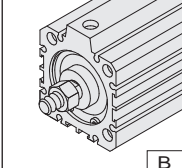
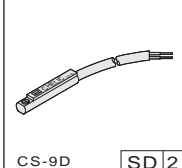
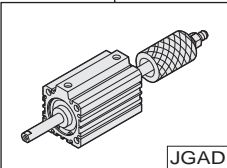
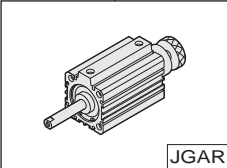


# JG series - Compact cylinder (Dust proof)

Ordering expression

CHELIC PNEUMATIC

## How to order

Model	Bore size	Stroke	Thread type	Sensor switch
<b>JG</b>	<b>32</b>	<b>50</b>	<b>B</b>	<b>SE 2</b>
 <p><b>JG</b> : Dust proof</p>	20 — Ø 20 mm 25 — Ø 25 mm 32 — Ø 32 mm 40 — Ø 40 mm 50 — Ø 50 mm 63 — Ø 63 mm 80 — Ø 80 mm 100 — Ø 100 mm	Ø 20 — 5 ~ 100 mm Ø 25 — 5 ~ 100 mm Ø 32 — 5 ~ 100 mm Ø 40 — 5 ~ 150 mm Ø 50 — 5 ~ 150 mm Ø 63 — 5 ~ 150 mm Ø 80 — 5 ~ 150 mm Ø 100 — 5 ~ 150 mm	 <p>None : Female thread</p>	 <p><b>SE</b> : Sensor switch code (CS-30E)  <b>2</b> : Number of sensor switch            1 = 1 PCS            2 = 2 PCS</p>
 <p><b>JGD</b> : Dust proof - Adjustable</p>			 <p><b>B</b> : Male thread</p>	 <p><b>SD</b> : Sensor switch code (CS-9D)  <b>2</b> : Number of sensor switch            1 = 1 PCS            2 = 2 PCS</p>
 <p><b>JGAD</b> : Dust proof - Adjustable</p>				<p><b>SB</b> : Sensor switch code (CS-9B)  <b>2</b> : Number of sensor switch            1 = 1 PCS            2 = 2 PCS</p>
 <p><b>JGAR</b> : Dust proof - Adjustable</p>				

- Note :**
- Standard type is Female thread
  - Male thread must be marked "B"

## Selection base

- **Model** : Please select suitable models as per your actual requirement and indicate model number.
- **Forces** : (Please refer to P.3-1.37). Select different sizes for different load. Push and pull forces, vary due to the total area of trust are different.
- **Stroke** : Select different stroke for different piston traveling distance.
- **Length** : Length of (5,10), (15,20), (25,30), (35,40), (45,50), and (45,50) are the same respectively. The total length will be calculated at the multiple of 10, with the interval of 5mm ( Please refer to P.3-1.36 ), stroke above 60mm the length will be of standard. ( Ø12, Ø16 is not included).
- **Thread** : Standard thread: Female thread (None); B: Male thread.
- **Magnet** : All JG series with magnet.
- **Sensor switch** : CS-30E and CS-9D(B) are two common models of sensor switch. As for different application, please refer separately. ( Please refer to P.6-2.9 and P.6-2.15 )
- **Mounting screw** : As for screw size, please refer P.3-1.65 for screw specification table.

**NA**  
Cartridge  
Cylinder

**NA2**  
Cartridge  
Cylinder

**NB**  
Cartridge  
Cylinder

**NU**  
Free Mount  
Cylinder

**ND**  
Free Mount  
Cylinder

**NQ**  
Free Mount  
Cylinder

**MSI**  
Mini Compact  
Cylinder

**JD**  
Compact  
Cylinder

**JG**  
Compact  
Cylinder

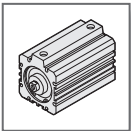
**JTD**  
Twin-Guide  
Cylinder

**JTF**  
Twin-Guide  
Cylinder

**JCB**  
Twin-Guide  
Cylinder

**JCF**  
Twin-Guide  
Cylinder

**JE**  
Compact  
Cylinder



# JG series - Compact cylinder ( Dust proof )

## Stroke table and Components

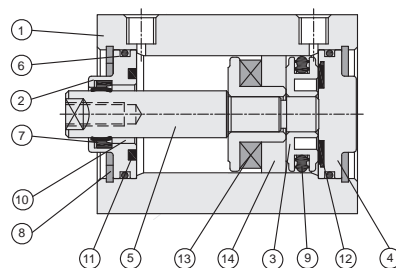
CHELIC PNEUMATIC

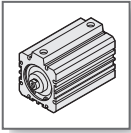
Symbol	Model	Bore size	Bore size and Stroke specification														
			Standard stroke (with magnet)														
			5	10	15	20	25	30	35	40	45	50	65	75	90	115	140
 <b>JG</b> — □ Double acting cylinder	20	(●)	●	(●)	●	(●)	●	(●)	●	(●)	●	(●)	●	(●)	●		
	25	(●)	●	(●)	●	(●)	●	(●)	●	(●)	●	(●)	●	(●)	●		
	32	(●)	●	(●)	●	(●)	●	(●)	●	(●)	●	(●)	●	(●)	●		
	40	(●)	●	(●)	●	(●)	●	(●)	●	(●)	●	(●)	●	(●)	●	●	●
	50	(●)	●	(●)	●	(●)	●	(●)	●	(●)	●	(●)	●	(●)	●	●	●
	63	(●)	●	(●)	●	(●)	●	(●)	●	(●)	●	(●)	●	(●)	●	●	●
	80	(●)	●	(●)	●	(●)	●	(●)	●	(●)	●	(●)	●	(●)	●	●	●
	100	(●)	●	(●)	●	(●)	●	(●)	●	(●)	●	(●)	●	(●)	●	●	●
 <b>JGD</b> — □ Double rod Compact cylinder	20	(●)	●	(●)	●	(●)	●	(●)	●	(●)	●	(●)	●				
	25	(●)	●	(●)	●	(●)	●	(●)	●	(●)	●	(●)	●				
	32	(●)	●	(●)	●	(●)	●	(●)	●	(●)	●	(●)	●				
	40	(●)	●	(●)	●	(●)	●	(●)	●	(●)	●	(●)	●				
	50	(●)	●	(●)	●	(●)	●	(●)	●	(●)	●	(●)	●				
	63	(●)	●	(●)	●	(●)	●	(●)	●	(●)	●	(●)	●				
	80	(●)	●	(●)	●	(●)	●	(●)	●	(●)	●	(●)	●				
	100	(●)	●	(●)	●	(●)	●	(●)	●	(●)	●	(●)	●				
 <b>JGAD</b> — □ Double rod Stroke adjustable Compact cylinder	20				●		●					●		●			
	25				●		●					●		●	●		
	32				●		●					●		●	●		
	40				●		●					●		●	●		
	50				●		●					●		●	●		
	63				●		●					●		●	●		
	80				●		●					●		●	●		
	100				●		●					●		●	●		
 <b>JGAR</b> — □ Double rod Return adjustable Compact cylinder	20		●		●		●			●		●		●			
	25		●		●		●			●		●		●	●		
	32		●		●		●			●		●		●	●		
	40		●		●		●			●		●		●	●		
	50		●		●		●			●		●		●	●		
	63		●		●		●			●		●		●	●		

※ Note : (●) the length of body must be added 5mm and calculate at the multiple of 10; for example JGØ20\*(35) has same length with JG JGØ20\*40.

### Components and Material list

NO	Item	Material	NO	Item	Material
01	Body	Aluminum alloy	08	Snap	Spring steel
02	Front cover	Aluminum alloy	09	Piston packing	NBR
03	Piston	Aluminum alloy	10	Bearing	Teflon
04	End cover	Aluminum alloy	11	Rubber washer	NBR
05	Female rod	Medium carbon steel	12	Rubber washer	NBR
06	O-ring	NBR	13	Magnet	Plastic
07	Rod packing	NBR	14	Wear ring	Teflon



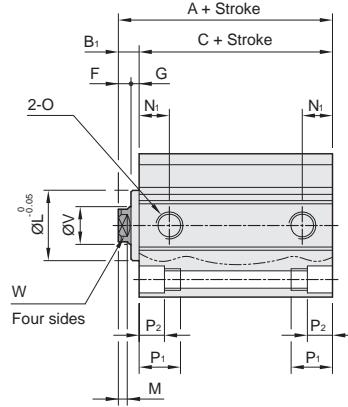
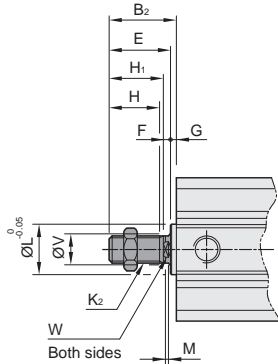
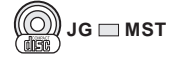


# JG series - Compact cylinder (Dust proof)

External dimension

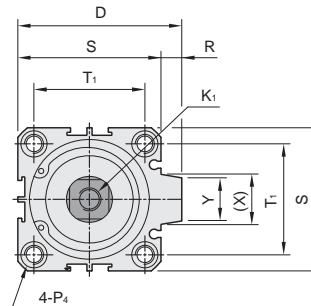
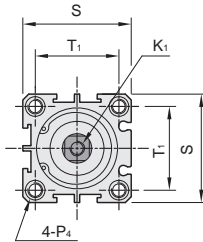
CHELIC PNEUMATIC

## Male thread dimension



## JG Ø20 ~ Ø25

## JG Ø32 ~ Ø100



Note : All stroke with magnet. Stroke 5, 15, 25, 35, 45 be added 5mm to the body length of cylinder. ( Please refer to P. 3-1.56 )

Unit : mm

Model Bore size	A	C	B <sub>1</sub>	B <sub>2</sub>	D	E	F	G	H	H <sub>1</sub>	K <sub>1</sub>	K <sub>2</sub>	L	M	N <sub>1</sub>	O
20	35	29.5	5.5	19.5	—	18	4	1.5	13	14	M4x0.7Px10 dp	M6x1P	13	3	7.5	M5X0.8P
25	37.2	31.2	6	22	—	20.1	4.1	1.9	15	16	M5x0.8Px12 dp	M8x1.25P	17	3	8	M5X0.8P
32	41	34	7	24	50	20.7	3.7	3.3	16	17	M6x1Px14 dp	M10x1.25P	22	3	9	PT 1/8
40	43.5	36.5	7	34	58	30.7	3.7	3.3	25	27	M8x1.25Px14 dp	M14x1.5P	28	3	10	PT 1/8
50	47.6	38.6	9	36	71	32.1	5.1	3.9	25	27	M10x1.5Px15 dp	M18x1.5P	38	3	10.85	PT 1/4
63	51	42.5	8.5	35.5	84.5	31.6	4.6	3.9	25	27	M10x1.5Px15 dp	M18x1.5P	40	3	11	PT 1/4
80	62	51.3	10.7	43.7	104	38.7	5.7	5	30	33	M14x1.5Px20 dp	M22x1.5P	45	4	13	PT 3/8
100	64	55.3	8.7	41.7	124	38.7	5.7	3	30	33	M16x2.0Px20 dp	M22x1.5P	45	4	15	PT 3/8

Model Bore size	P <sub>4</sub> ( Mounting hole )					P <sub>1</sub>	P <sub>2</sub>	R	S	T <sub>1</sub>	V	W	X	Y
20	Thru-hole Ø4.3 , Thread M5x0.8Px6 dp ; Hole Ø7x5 dp ; (Both sides)					11	5	—	34	24	8	6	—	—
25	Thru-hole Ø5.1 , Thread M6x1Px8 dp ; Hole Ø8x6 dp ; (Both sides)					14	6	—	40	28	10	8	—	—
32	Thru-hole Ø5.1 , Thread M6x1Px8 dp ; Hole Ø8x6 dp ; (Both sides)					14	6	6	44	34	12	10	15	13.6
40	Thru-hole Ø6.8 , Thread M8x1.25Px10 dp ; Hole Ø10x8 dp ; (Both sides)					18	8	6	52	40	16	14	15	13.6
50	Thru-hole Ø6.8 , Thread M8x1.25Px10 dp ; Hole Ø11x8.5 dp ; (Both sides)					18.5	8.5	9	62	48	20	17	21.6	19
63	Thru-hole Ø6.8 , Thread M8x1.25Px10 dp ; Hole Ø11x8.5 dp ; (Both sides)					18.5	8.5	9.5	75	60	20	17	23.5	20.5
80	Thru-hole Ø10.4 , Thread M12x1.75Px12 dp ; Hole Ø14x10.5 dp ; (Both sides)					22.5	10.5	10	94	74	25	22	27.6	25
100	Thru-hole Ø12.5 , Thread M14x2Px15 dp ; Hole Ø18.5x13 dp ; (Both sides)					28	13	10	114	90	25	22	27.6	25

**NA**  
Cartridge  
Cylinder

**NA2**  
Cartridge  
Cylinder

**NB**  
Cartridge  
Cylinder

**NU**  
Free Mount  
Cylinder

**ND**  
Free Mount  
Cylinder

**NQ**  
Free Mount  
Cylinder

**MSI**  
Mini  
Compact  
Cylinder

**JD**  
Compact  
Cylinder

**JG**  
Compact  
Cylinder

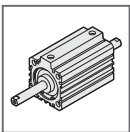
**JTD**  
Twin-Guide  
Cylinder

**JTF**  
Twin-Guide  
Cylinder

**JCB**  
Twin-Guide  
Cylinder

**JCF**  
Twin-Guide  
Cylinder

**JE**  
Compact  
Cylinder

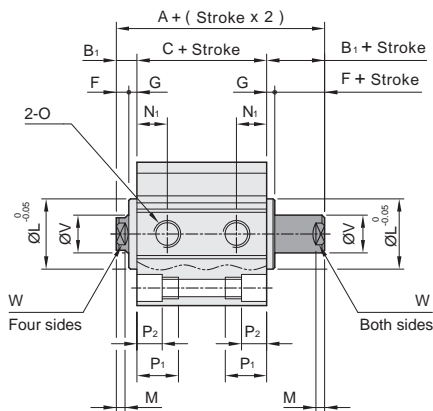
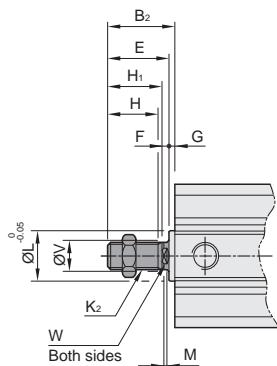


# JGD series - Compact cylinder (Dust proof)

External dimension

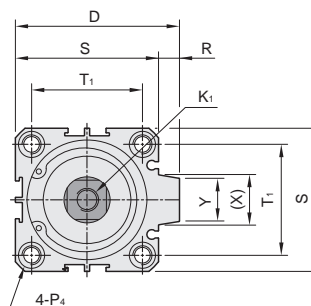
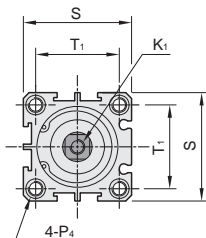
CHELIC PNEUMATIC

## Male thread dimension



## JGD Ø20 ~ Ø25

## JGD Ø32 ~ Ø100

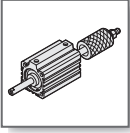


Note : All stroke with magnet. Stroke 5, 15, 25, 35, 45 be added 5mm to the body length of cylinder ( Please refer to P. 3-1.56)

Unit : mm

Model Bore size	A	C	B <sub>1</sub>	B <sub>2</sub>	D	E	F	G	H	H <sub>1</sub>	K <sub>1</sub>	K <sub>2</sub>	L	M	N <sub>1</sub>	O
20	40.5	29.5	5.5	19.5	—	18	4	1.5	13	14	M4x0.7Px10 dp	M6x1P	13	3	7.5	M5X0.8P
25	43.2	31.2	6	22	—	20.1	4.1	1.9	15	16	M5x0.8Px12 dp	M8x1.25P	17	3	8	M5X0.8P
32	48	34	7	24	50	20.7	3.7	3.3	16	17	M6x1Px14 dp	M10x1.25P	22	3	9	PT 1/8
40	50.5	36.5	7	34	58	30.7	3.7	3.3	25	27	M8x1.25Px14 dp	M14x1.5P	28	3	10	PT 1/8
50	56.6	38.6	9	36	71	32.1	5.1	3.9	25	27	M10x1.5Px15 dp	M18x1.5P	38	3	10.85	PT 1/4
63	59.5	42.5	8.5	35.5	84.5	31.6	4.6	3.9	25	27	M10x1.5Px15 dp	M18x1.5P	40	3	11	PT 1/4
80	72.7	51.3	10.7	43.7	104	38.7	5.7	5	30	33	M14x1.5Px20 dp	M22x1.5P	45	4	13	PT 3/8
100	72.7	55.3	8.7	41.7	124	38.7	5.7	3	30	33	M16x2.0Px20 dp	M22x1.5P	45	4	15	PT 3/8

Model Bore size	P <sub>4</sub> ( Mounting hole )					P <sub>1</sub>	P <sub>2</sub>	R	S	T <sub>1</sub>	V	W	X	Y
20	Thru-hole Ø4.3 , Thread M5x0.8Px6 dp ; Hole Ø7x5 dp ; (Both sides)					11	5	—	34	24	8	6	—	—
25	Thru-hole Ø5.1 , Thread M6x1Px8 dp ; Hole Ø8x6 dp ; (Both sides)					14	6	—	40	28	10	8	—	—
32	Thru-hole Ø5.1 , Thread M6x1Px8 dp ; Hole Ø8x6 dp ; (Both sides)					14	6	6	44	34	12	10	15	13.6
40	Thru-hole Ø6.8 , Thread M8x1.25Px10 dp ; Hole Ø10x8 dp ; (Both sides)					18	8	6	52	40	16	14	15	13.6
50	Thru-hole Ø6.8 , Thread M8x1.25Px10 dp ; Hole Ø11x8.5 dp ; (Both sides)					18.5	8.5	9	62	48	20	17	21.6	19
63	Thru-hole Ø6.8 , Thread M8x1.25Px10 dp ; Hole Ø11x8.5 dp ; (Both sides)					18.5	8.5	9.5	75	60	20	17	23.5	20.5
80	Thru-hole Ø10.4 , Thread M12x1.75Px12 dp ; Hole Ø14x10.5 dp ; (Both sides)					22.5	10.5	10	94	74	25	22	27.6	25
100	Thru-hole Ø12.5 , Thread M14x2Px15 dp ; Hole Ø18.5x13 dp ; (Both sides)					28	13	10	114	90	25	22	27.6	25



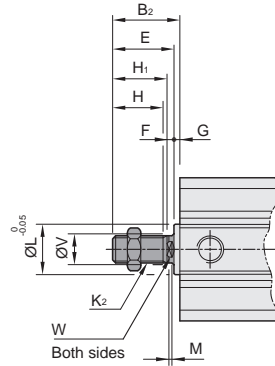
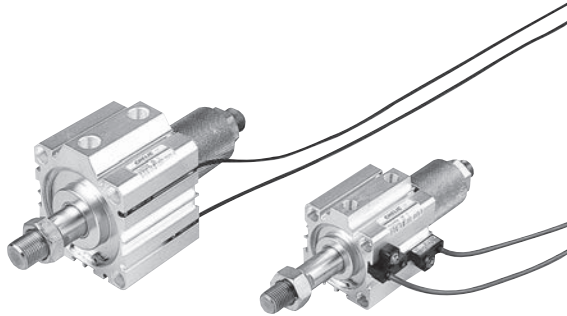
# JGAD series (Adjustable stroke 25 mm) Compact cylinder (Dust proof)

External dimension

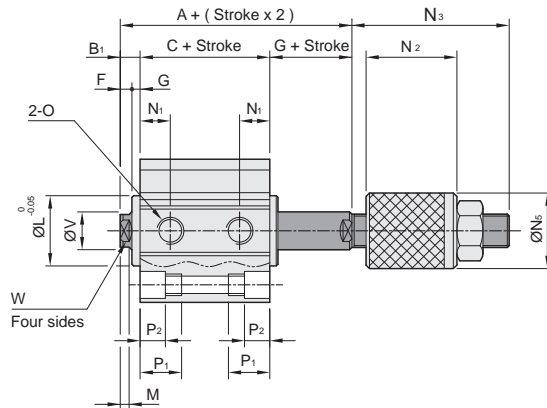
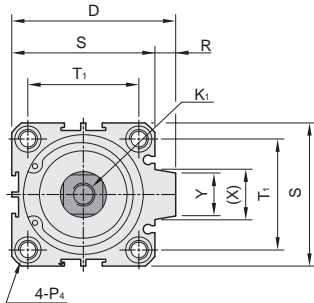
CHELIC PNEUMATIC

Stroke adjustable 25mm cylinder

Male thread dimension JGAD □ MST



JGAD Ø20 ~ Ø100



※ Note : Standard stroke 30 ( Stroke adjustable 25mm )

Unit : mm

Model Bore size	Model																	
	A	C	B <sub>1</sub>	B <sub>2</sub>	D	E	F	G	H	H <sub>1</sub>	K <sub>1</sub>	K <sub>2</sub>	L	M	N <sub>1</sub>	N <sub>2</sub>	N <sub>3</sub>	N <sub>5</sub>
20	36.5	29.5	5.5	19.5	—	18	4	1.5	13	14	M4x0.7Px10 dp	M6x1P	13	3	7.5	31	39.5	16
25	39.1	31.2	6	22	—	20.1	4.1	1.9	15	16	M5x0.8Px12 dp	M8x1.25P	17	3	8	33	43	20
32	44.3	34	7	24	50	20.7	3.7	3.3	16	17	M6x1.0Px14 dp	M10x1.25P	22	3	9	33	44.5	25
40	46.8	36.5	7	34	58	30.7	3.7	3.3	25	27	M8x1.25Px14 dp	M14x1.5P	28	3	10	35	50	32
50	51.5	38.6	9	36	71	32.1	5.1	3.9	25	27	M10x1.5Px15 dp	M18x1.5P	38	3	10.85	37	57	36
63	54.9	42.5	8.5	35.5	84.5	31.6	4.6	3.9	25	27	M10x1.5Px15 dp	M18x1.5P	40	3	11	37	57	36
80	67	51.3	10.7	43.7	104	38.7	5.7	5	30	33	M14x1.5Px20 dp	M22x1.5P	45	4	13	37	59.5	44
100	67	55.3	8.7	41.7	124	38.7	5.7	3	30	33	M16x2.0Px20 dp	M22x1.5P	45	4	15	37	59.5	44

Model Bore size	Model																	
	O	P <sub>4</sub> (Mounting hole)								P <sub>1</sub>	P <sub>2</sub>	R	S	T <sub>1</sub>	V	W	X	Y
20	M5X0.8P	Thru-hole Ø4.3 , Thread M5x0.8Px6 dp ; Hole Ø7x5 dp ; (Both sides)								11	5	—	34	24	8	6	—	—
25	M5X0.8P	Thru-hole Ø5.1 , Thread M6x1Px8 dp ; Hole Ø8x6 dp ; (Both sides)								14	6	—	40	28	10	8	—	—
32	PT 1/8	Thru-hole Ø5.1 , Thread M6x1Px8 dp ; Hole Ø8x6 dp ; (Both sides)								14	6	6	44	34	12	10	15	13.6
40	PT 1/8	Thru-hole Ø6.8 , Thread M8x1.25Px10 dp ; Hole Ø10x8 dp ; (Both sides)								18	8	6	52	40	16	14	15	13.6
50	PT 1/4	Thru-hole Ø6.8 , Thread M8x1.25Px10 dp ; Hole Ø11x8.5 dp ; (Both sides)								18.5	8.5	9	62	48	20	17	21.6	19
63	PT 1/4	Thru-hole Ø6.8 , Thread M8x1.25Px10 dp ; Hole Ø11x8.5 dp ; (Both sides)								18.5	8.5	9.5	75	60	20	17	23.5	20.5
80	PT 3/8	Thru-hole Ø10.4 , Thread M12x1.75Px12 dp ; Hole Ø14x10.5 dp ; (Both sides)								22.5	10.5	10	94	74	25	22	27.6	25
100	PT 3/8	Thru-hole Ø12.5 , Thread M14x2Px15 dp ; Hole Ø18.5x13 dp ; (Both sides)								28	13	10	114	90	25	22	27.6	25

**NA**  
Cartridge  
Cylinder

**NA2**  
Cartridge  
Cylinder

**NB**  
Cartridge  
Cylinder

**NU**  
Free Mount  
Cylinder

**ND**  
Free Mount  
Cylinder

**NQ**  
Free Mount  
Cylinder

**MSI**  
Mini  
Compact  
Cylinder

**JD**  
Compact  
Cylinder

**JG**  
Compact  
Cylinder

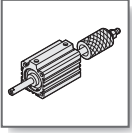
**JTD**  
Twin-Guide  
Cylinder

**JTF**  
Twin-Guide  
Cylinder

**JCB**  
Twin-Guide  
Cylinder

**JCF**  
Twin-Guide  
Cylinder

**JE**  
Compact  
Cylinder



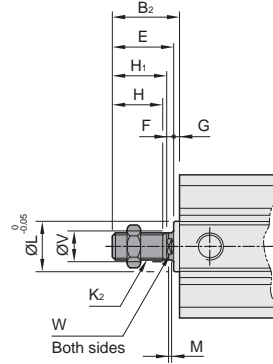
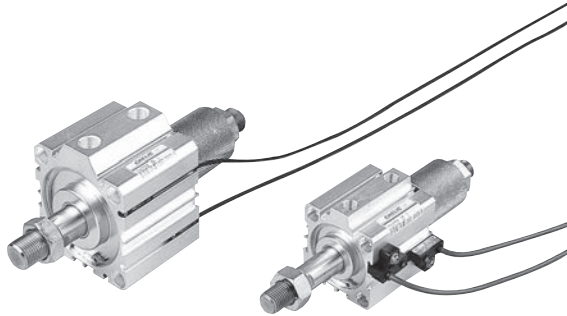
# JGAD series (Adjustable stroke 40 mm) Compact cylinder ( Dust proof )

External dimension

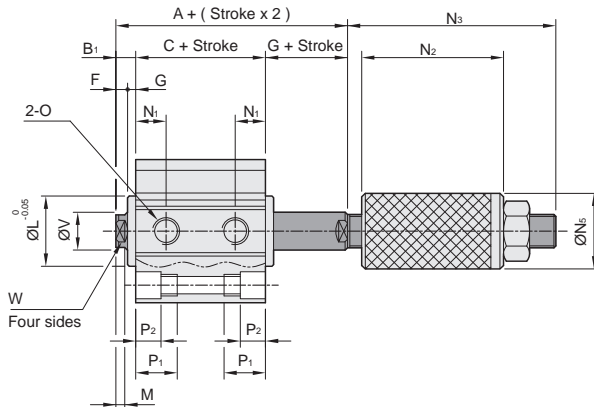
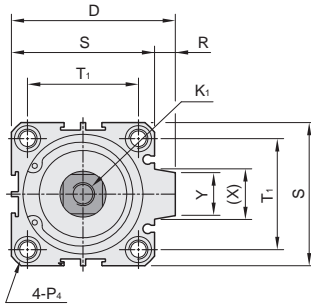
HELIC PNEUMATIC

Stroke adjustable 40mm cylinder

Male thread dimension  JGAD  MST



JGAD Ø20 ~ Ø100

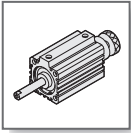


※ Note : Standard stroke 50, 75, 100 ( Stroke adjustable 40mm )

Unit : mm

Model Bore size	A	C	B <sub>1</sub>	B <sub>2</sub>	D	E	F	G	H	H <sub>1</sub>	K <sub>1</sub>	K <sub>2</sub>	L	M	N <sub>1</sub>	N <sub>2</sub>	N <sub>3</sub>	N <sub>5</sub>
20	36.5	29.5	5.5	19.5	—	18	4	1.5	13	14	M4x0.7Px10 dp	M6x1P	13	3	7.5	56	64.5	16
25	39.1	31.2	6	22	—	20.1	4.1	1.9	15	16	M5x0.8Px12 dp	M8x1.25P	17	3	8	58	68	20
32	44.3	34	7	24	50	20.7	3.7	3.3	16	17	M6x1Px14 dp	M10x1.25P	22	3	9	58	69.5	25
40	46.8	36.5	7	34	58	30.7	3.7	3.3	25	27	M8x1.25Px14 dp	M14x1.5P	28	3	10	60	75	32
50	51.5	38.6	9	36	71	32.1	5.1	3.9	25	27	M10x1.5Px15 dp	M18x1.5P	38	3	10.85	62	82	36
63	54.9	42.5	8.5	35.5	84.5	31.6	4.6	3.9	25	27	M10x1.5Px15 dp	M18x1.5P	40	3	11	62	82	36
80	67	51.3	10.7	43.7	104	38.7	5.7	5	30	33	M14x1.5Px20 dp	M22x1.5P	45	4	13	62	84.5	44
100	67	55.3	8.7	41.7	124	38.7	5.7	3	30	33	M16x2.0Px20 dp	M22x1.5P	45	4	15	62	84.5	44

Model Bore size	O	P <sub>4</sub> ( Mounting hole )	P <sub>1</sub>	P <sub>2</sub>	R	S	T <sub>1</sub>	V	W	X	Y
20	M5X0.8P	Thru-hole Ø4.3 , Thread M5x0.8Px8 dp ; Hole Ø7x5 dp ; (Both sides)	11	5	—	34	24	8	6	—	—
25	M5X0.8P	Thru-hole Ø5.1 , Thread M6x1Px8 dp ; Hole Ø8x6 dp ; (Both sides)	14	6	—	40	28	10	8	—	—
32	PT 1/8	Thru-hole Ø5.1 , Thread M6x1Px8 dp ; Hole Ø8x6 dp ; (Both sides)	14	6	6	44	34	12	10	15	13.6
40	PT 1/8	Thru-hole Ø6.8 , Thread M8x1.25Px10 dp ; Hole Ø10x8 dp ; (Both sides)	18	8	6	52	40	16	14	15	13.6
50	PT 1/4	Thru-hole Ø6.8 , Thread M8x1.25Px10 dp ; Hole Ø11x8.5 dp ; (Both sides)	18.5	8.5	9	62	48	20	17	21.6	19
63	PT 1/4	Thru-hole Ø6.8 , Thread M8x1.25Px10 dp ; Hole Ø11x8.5 dp ; (Both sides)	18.5	8.5	9.5	75	60	20	17	23.5	20.5
80	PT 3/8	Thru-hole Ø10.4 , Thread M12x1.75Px12 dp ; Hole Ø14x10.5 dp ; (Both sides)	22.5	10.5	10	94	74	25	22	27.6	25
100	PT 3/8	Thru-hole Ø12.5 , Thread M14x2Px15 dp ; Hole Ø18.5x13 dp ; (Both sides)	28	13	10	114	90	25	22	27.6	25



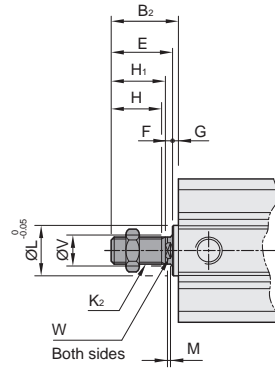
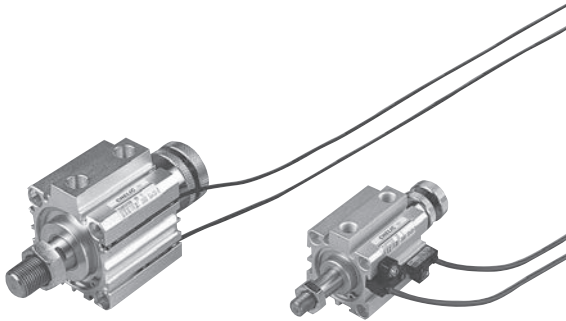
# JGAR series (Return adjustable 10 mm) Compact cylinder (Dust proof)

External dimension

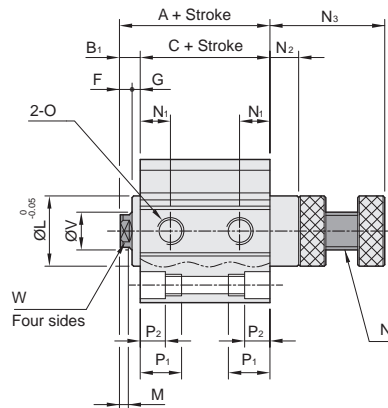
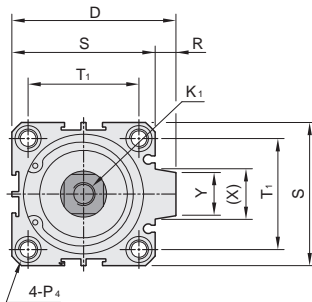
CHELIC PNEUMATIC

Return adjustable 10mm cylinder

Male thread dimension



JGAR Ø20 ~ Ø63



**NA**  
Cartridge  
Cylinder

**NA2**  
Cartridge  
Cylinder

**NB**  
Cartridge  
Cylinder

**NU**  
Free Mount  
Cylinder

**ND**  
Free Mount  
Cylinder

**NQ**  
Free Mount  
Cylinder

**MSI**  
Mini Compact  
Cylinder

**JD**  
Compact  
Cylinder

**JG**  
Compact  
Cylinder

Note : All stroke with magnet. stroke 5, 15, 25, 35, 45, 55 be added 5mm to the body length of cylinder. ( Please refer to P. 3-1.56 )

Unit : mm

Model Bore size	A	C	B <sub>1</sub>	B <sub>2</sub>	D	E	F	G	H	H <sub>1</sub>	K <sub>1</sub>	K <sub>2</sub>	L	M	N <sub>1</sub>	N <sub>2</sub>	N <sub>3</sub>	N <sub>4</sub>
20	35	29.5	5.5	19.5	—	18	4	1.5	13	14	M4x0.7Px10 dp	M6x1P	13	3	7.5	15.3	38.3	M8x1.25P
25	37.2	31.2	6	22	—	20.1	4.1	1.9	15	16	M5x0.8Px12 dp	M8x1.25P	17	3	8	14.9	37.9	M8x1.25P
32	41	34	7	24	50	20.7	3.7	3.3	16	17	M6x1Px14 dp	M10x1.25P	22	3	9	17.1	43.1	M10x1.5P
40	43.5	36.5	7	34	58	30.7	3.7	3.3	25	27	M8x1.25Px14 dp	M14x1.5P	28	3	10	16.3	42.3	M10x1.5P
50	47.6	38.6	9	36	71	32.1	5.1	3.9	25	27	M10x1.5Px15 dp	M18x1.5P	38	3	10.85	20.7	50.7	M16x1.5P
63	51	42.5	8.5	35.5	84.5	31.6	4.6	3.9	25	27	M10x1.5Px15 dp	M18x1.5P	40	3	11	19.8	49.8	M16x1.5P

**JTD**  
Twin-Guide  
Cylinder

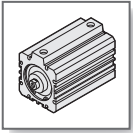
**JTF**  
Twin-Guide  
Cylinder

**JCB**  
Twin-Guide  
Cylinder

**JCF**  
Twin-Guide  
Cylinder

**JE**  
Compact  
Cylinder

Model Bore size	O	P <sub>4</sub> (Mounting hole)	P <sub>1</sub>	P <sub>2</sub>	R	S	T <sub>1</sub>	V	W	X	Y
20	M5X0.8P	Thru-hole Ø4.3, Thread M5x0.8Px6 dp ; Hole Ø7x5 dp ; (Both sides)	11	5	—	34	24	8	6	—	—
25	M5X0.8P	Thru-hole Ø5.1, Thread M6x1Px8 dp ; Hole Ø8x6 dp ; (Both sides)	14	6	—	40	28	10	8	—	—
32	PT 1/8	Thru-hole Ø5.1, Thread M6x1Px8 dp ; Hole Ø8x6 dp ; (Both sides)	14	6	6	44	34	12	10	15	13.6
40	PT 1/8	Thru-hole Ø6.8, Thread M8x1.25Px10 dp ; Hole Ø10x8 dp ; (Both sides)	18	8	6	52	40	16	14	15	13.6
50	PT 1/4	Thru-hole Ø6.8, Thread M8x1.25Px10 dp ; Hole Ø11x8.5 dp ; (Both sides)	18.5	8.5	9	62	48	20	17	21.6	19
63	PT 1/4	Thru-hole Ø6.8, Thread M8x1.25Px10 dp ; Hole Ø11x8.5 dp ; (Both sides)	18.5	8.5	9.5	75	60	20	17	23.5	20.5



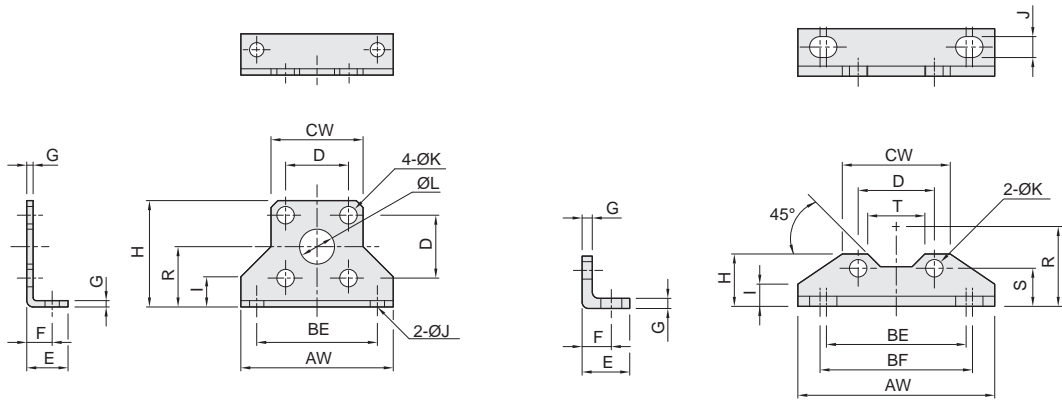
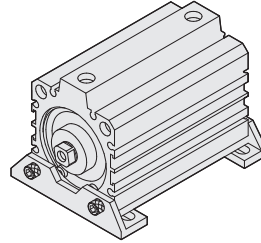
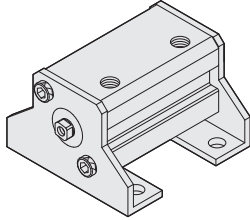
# JD(G) series Compact cylinder - mounting bracket

External dimension

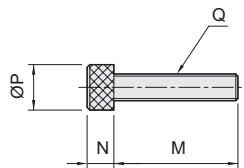
CHELIC PNEUMATIC

JD(G) Ø12 ~ Ø16

JD(G) Ø20 ~ Ø50



## Mounting screw

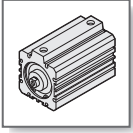


※ Minimum order quantity : 1set ( 2 mounting brackets, 4 mounting screw )

Material : Steel

Ordering Code	Code Bore size	AW	BE	BF	CW	D	E	F	G	H	I	J	K	L	M	N	P	Q	R	S	T
JD-LB12	12	44	34	—	25	15.7	12.5	8	2	29.5	4.5	4.5	5.5	11	12	5	9.5	M5	17	8.9	—
JD-LB16	16	48	38	—	29	19.8	13	8	2	33.5	9.5	4.5	5.5	11	12	5	9.5	M5	19	9.1	—
JD-LB20	20	60	44	48	34	24	15	9.2	3.2	16.5	7	6.6	5.5	—	12	5	9.5	M5	24	12	18
JD-LB25	25	64	51	53	40	28	16.5	10.7	3.2	17.5	6	6.6	6.5	—	14	6	10.5	M6	26	12	24
JD-LB32	32	68	55	57	44	34	17	11.2	3.2	19	8	6.6	6.5	—	14	6	10.5	M6	30	13	27
JD-LB40	40	78	63	65	52	40	18.2	11.2	3.2	19	7	6.6	8.5	—	20	8	14	M8	33	13	33
JD-LB50	50	96	77	79	62	48	22.7	14.7	3.2	22	8	9	8.5	—	20	8	14	M8	39	15	42



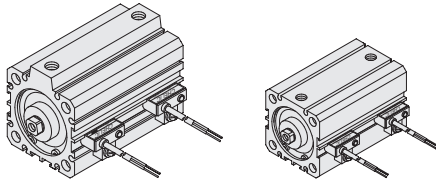


# JD(G) series Compact cylinder - with magnet

Sensor switch installation and Sensing setting

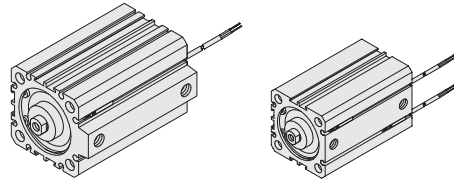
CHELIC PNEUMATIC

## ☛ Sensor switch CS-30E mounting type



● Suitable for  $\varnothing 12 \sim \varnothing 100$

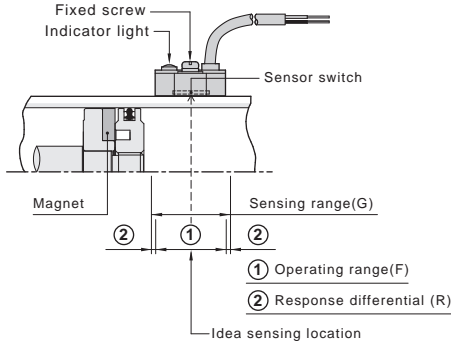
## ☛ Sensor switch CS-9D mounting type



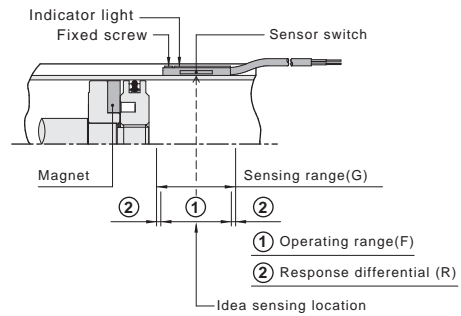
● Suitable for  $\varnothing 6 \sim \varnothing 125$

## ☛ Sensor switch setting and Operating range

### ● CS-30E



### ● CS-9D(B)



Unit : mm

## ☛ Sensing range

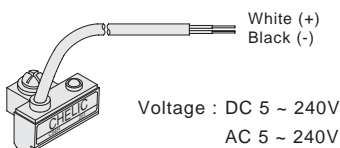
Sensor switch is fixed on the cylinder body .  
The magnetic piston head will activate the sensor switch when it enters the operating range.

## ☛ Operating range

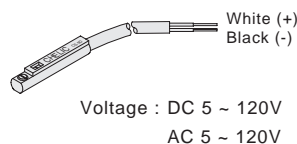
When piston head moves the sensor switch setting and adjustment will be based on the responding range generated by the magnetic field and the switch.  
(Please refer to the right table)

Model	CS-30E		CS-9D(B)	
	Operating range (F)	Response differential (R)	Operating range (F)	Response differential (R)
<b>Bore size</b>				
$\varnothing 6$	—	—	5	1
$\varnothing 10$	—	—	8	1
$\varnothing 12$	9	1	8	1
$\varnothing 16$	11	1	10	1
$\varnothing 20$	9	1	8	1
$\varnothing 25$	11	1	9	1
$\varnothing 32$	8.5	1	7	1
$\varnothing 40$	11	1	8	1
$\varnothing 50$	11	1.2	9	1.2
$\varnothing 63$	13	1.2	10.5	1.2
$\varnothing 80$	14	1.3	13.5	1.4
$\varnothing 100$	15	1.3	13.5	1.5
$\varnothing 125$	—	—	12	2

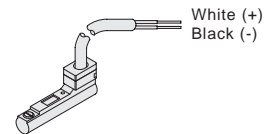
## ☛ Connection type



CS-30E



CS-9D



CS-9B

**NA**  
Cartridge  
Cylinder

**NA2**  
Cartridge  
Cylinder

**NB**  
Cartridge  
Cylinder

**NU**  
Free Mount  
Cylinder

**ND**  
Free Mount  
Cylinder

**NQ**  
Free Mount  
Cylinder

**MSI**  
Mini  
Compact  
Cylinder

**JD**  
Compact  
Cylinder

**JG**  
Compact  
Cylinder

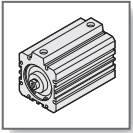
**JTD**  
Twin-Guide  
Cylinder

**JTF**  
Twin-Guide  
Cylinder

**JCB**  
Twin-Guide  
Cylinder

**JCF**  
Twin-Guide  
Cylinder

**JE**  
Compact  
Cylinder



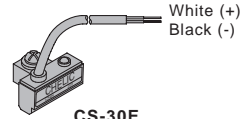
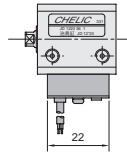
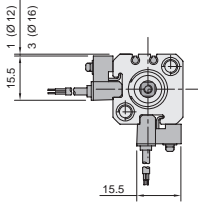
# JD(G) series Compact cylinder - with magnet

Mounting type and Position dimension

CHELIC PNEUMATIC

## ▶ Sensor switch position dimension

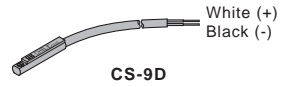
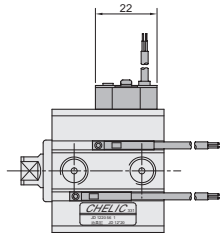
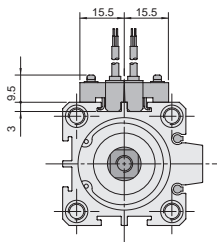
● Ø 12 · Ø 16



CS-30E

Voltage : DC 5~240V  
AC 5~240V

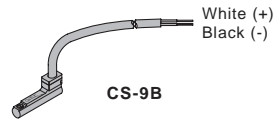
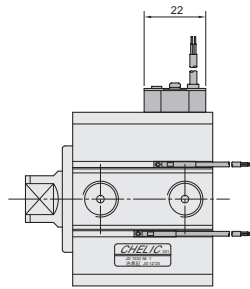
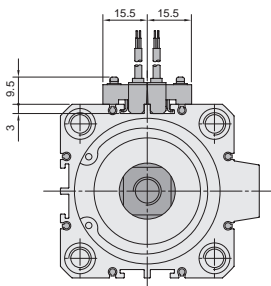
● Ø 20 · Ø 63



CS-9D

Voltage : DC 5~120V  
AC 5~120V

● Ø 80 · Ø100

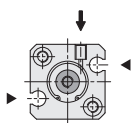


CS-9B

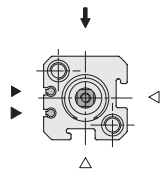
Voltage : DC 5~120V  
AC 5~120V

## ▶ Sensor switch mounting

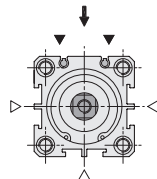
● Ø 6 · Ø 10



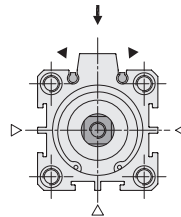
● Ø 12 · Ø 16



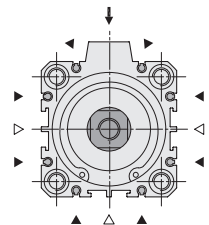
● Ø 20 · Ø 25



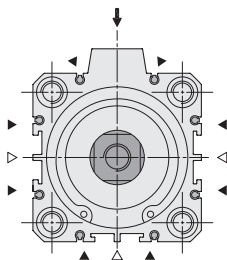
● Ø 32 · Ø 40



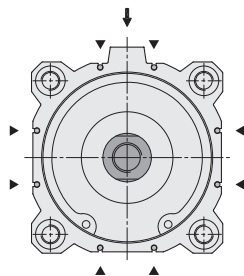
● Ø 50 · Ø 63



● Ø 80 · Ø 100

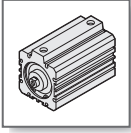


● Ø 125



### Legend :

- ▲ : Groove for installing CS-9D(B)
- △ : Groove for installing CS-30E
- ↓ : Direction of piping port

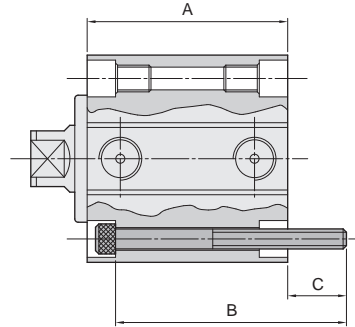
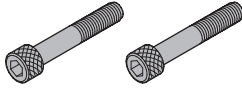


# JD(G) series Compact cylinder - mounting screw

Reference

CHELIC PNEUMATIC

## ⦿ The body length and Screw specification ( Reference )



Model	A	B	C	Screw size
JD 6 X 5	30.0	35	7.5	M2.5 X 35L
JD 6 X 10	35.0	40	7.5	M2.5 X 40L
JD 6 X 15	40.0	45	7.5	M2.5 X 45L
JD 6 X 20	45.0	50	7.5	M2.5 X 50L
JD 6 X 25	50.0	55	7.5	M2.5 X 55L
JD 6 X 30	55.0	60	7.5	M2.5 X 60L
JD10 X 5	40.0	45	7.5	M2.5 X 45L
JD10 X 10	45.0	50	7.5	M2.5 X 50L
JD10 X 15	50.0	55	7.5	M2.5 X 55L
JD10 X 20	55.0	60	7.5	M2.5 X 60L
JD10 X 25	60.0	65	7.5	M2.5 X 65L
JD10 X 30	65.0	70	7.5	M2.5 X 70L
JD12 X 5	25.5	25	4	M3 X 25L
JD12 X 10	30.5	30	4	M3 X 30L
JD12 X 15	35.5	35	4	M3 X 35L
JD12 X 20	40.5	40	4	M3 X 40L
JD12 X 25	45.5	45	4	M3 X 45L
JD12 X 30	50.5	50	4	M3 X 50L
JD12 X 40 (35)	60.5	60	4	M3 X 60L
JD12 X 50 (45)	70.5	70	4	M3 X 70L
JD16 X 5	26.5	30	8	M3 X 30L
JD16 X 10	31.5	35	8	M3 X 35L
JD16 X 15	36.5	40	8	M3 X 40L
JD16 X 20	41.5	45	8	M3 X 45L
JD16 X 25	46.5	50	8	M3 X 50L
JD16 X 30	51.5	55	8	M3 X 55L
JD16 X 40 (35)	61.5	65	8	M3 X 65L
JD16 X 50 (45)	71.5	75	8	M3 X 75L
JD20 X 10 (5)	29.5	35	10.5	M4 X 35L
JD20 X 20 (15)	39.5	45	10.5	M4 X 45L
JD20 X 30 (25)	49.5	55	10.5	M4 X 55L
JD20 X 40 (35)	59.5	65	10.5	M4 X 65L
JD20 X 50 (45)	69.5	75	10.5	M4 X 75L
JD25 X 10 (5)	31.2	35	9.8	M4 X 35L
JD25 X 20 (15)	41.2	45	9.8	M4 X 45L
JD25 X 30 (25)	51.2	55	9.8	M4 X 55L
JD25 X 40 (35)	61.2	65	9.8	M4 X 65L
JD25 X 50 (45)	71.2	75	9.8	M4 X 75L
JD32 X 10 (5)	34.0	40	12	M4 X 40L
JD32 X 20 (15)	44.0	50	12	M4 X 50L
JD32 X 30 (25)	54.0	60	12	M4 X 60L
JD32 X 40 (35)	64.0	70	12	M4 X 70L
JD32 X 50 (45)	74.0	80	12	M4 X 80L

Model	A	B	C	Screw size
JD40 X 10 (5)	36.5	40	11.5	M5 X 40L
JD40 X 20 (15)	46.5	50	11.5	M5 X 50L
JD40 X 30 (25)	56.5	60	11.5	M5 X 60L
JD40 X 40 (35)	66.5	70	11.5	M5 X 70L
JD40 X 50 (45)	76.5	80	11.5	M5 X 80L
JD40 X 60 (55)	86.5	90	11.5	M5 X 90L
JD40 X 75	101.5	110	16.5	M5 X 110L
JD50 X 10 (5)	38.6	40	9.9	M6 X 40L
JD50 X 20 (15)	48.6	50	9.9	M6 X 50L
JD50 X 30 (25)	58.6	60	9.9	M6 X 60L
JD50 X 40 (35)	68.6	70	9.9	M6 X 70L
JD50 X 50 (45)	78.6	80	9.9	M6 X 80L
JD50 X 60 (55)	88.6	90	9.9	M6 X 90L
JD50 X 75	103.6	110	14.9	M6 X 110L
JD63 X 10 (5)	42.5	50	16	M6 X 50L
JD63 X 20 (15)	52.5	60	16	M6 X 60L
JD63 X 30 (25)	62.5	70	16	M6 X 70L
JD63 X 40 (35)	72.5	80	16	M6 X 80L
JD63 X 50 (45)	82.5	90	16	M6 X 90L
JD63 X 60 (55)	92.5	100	16	M6 X 100L
JD63 X 75	107.5	120	21	M6 X 120L
JD80 X 10 (5)	51.3	60	19.2	M8 X 60L
JD80 X 20 (15)	61.3	70	19.2	M8 X 70L
JD80 X 30 (25)	71.3	80	19.2	M8 X 80L
JD80 X 40 (35)	81.3	90	19.2	M8 X 90L
JD80 X 50 (45)	91.3	100	19.2	M8 X 100L
JD80 X 60 (55)	101.3	110	19.2	M8 X 110L
JD80 X 75	116.3	130	24.2	M8 X 130L
JD100 X 10 (5)	55.3	65	22.7	M10 X 65L
JD100 X 20 (15)	65.3	75	22.7	M10 X 75L
JD100 X 30 (25)	75.3	85	22.7	M10 X 85L
JD100 X 40 (35)	85.3	95	22.7	M10 X 95L
JD100 X 50 (45)	95.3	110	27.7	M10 X 110L
JD100 X 60 (55)	105.3	120	27.7	M10 X 120L
JD100 X 75	120.3	130	22.7	M10 X 130L
JD125 X 10 (5)	93.0	100	20.0	M12 X 100L
JD125 X 20 (15)	103.0	110	20.0	M12 X 110L
JD125 X 30 (25)	113.0	120	20.0	M12 X 120L
JD125 X 40 (35)	123.0	130	20.0	M12 X 130L
JD125 X 50 (45)	133.0	140	20.0	M12 X 140L
JD125 X 75	158.0	170	25.0	M12 X 170L
JD125 X 100	183.0	190	20.0	M12 X 190L

Note : 1. C value is for reference only. Design value shall be subject to the stress and strain of the locking material.  
2. Mounting screw, please refer JIS B1176 Hexagon socket screw (Alloy steel).

**NA**  
Cartridge  
Cylinder

**NA2**  
Cartridge  
Cylinder

**NB**  
Cartridge  
Cylinder

**NU**  
Free Mount  
Cylinder

**ND**  
Free Mount  
Cylinder

**NQ**  
Free Mount  
Cylinder

**MSI**  
Mini Compact  
Cylinder

**JD**  
Compact  
Cylinder

**JG**  
Compact  
Cylinder

**JTD**  
Twin-Guide  
Cylinder

**JTF**  
Twin-Guide  
Cylinder

**JCB**  
Twin-Guide  
Cylinder

**JCF**  
Twin-Guide  
Cylinder

**JE**  
Compact  
Cylinder