

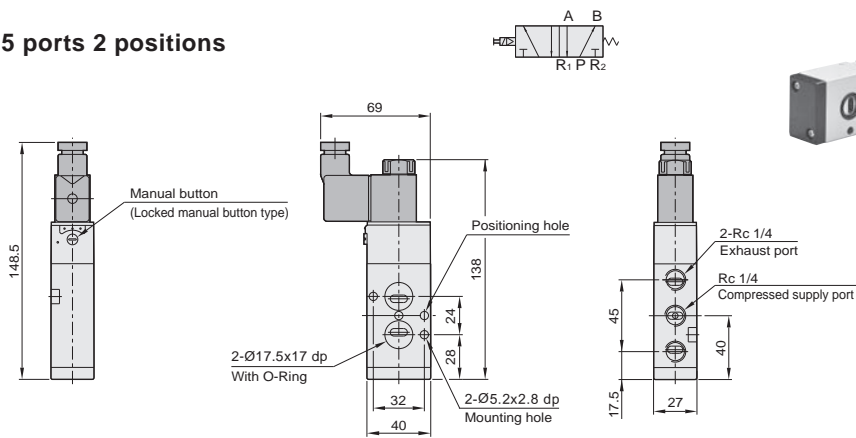
SN series - SN 800 Solenoid valve - 5 ports 2 positions

External dimensions / Flank port / NAMUR

CHELIC PNEUMATIC

SN - 810

Single coil 5 ports 2 positions



SM
Solenoid Valve

SMB
Solenoid Valve

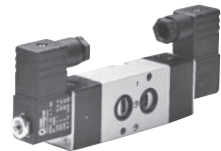
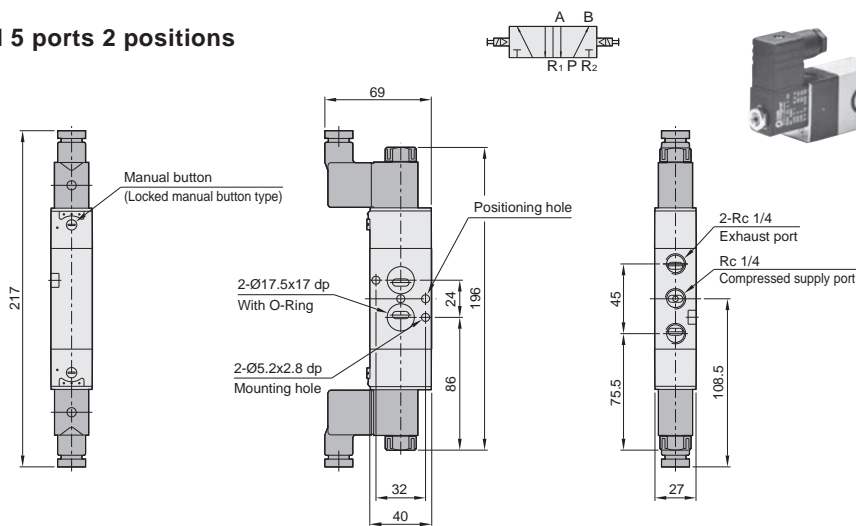
SMU
Solenoid Valve

SMUB
Solenoid Valve

SR
Solenoid Valve

SN - 820

Double coil 5 ports 2 positions



SRB
Solenoid Valve

SRU
Solenoid Valve

SRUB
Solenoid Valve

SRK
Solenoid Valve

SK
Solenoid Valve

SNK
Solenoid Valve

How to order

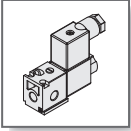
SN	8	1	0	110 VAC	K	L
SN series Solenoid valve	Model	Coil no.	Positions no.	Voltage type	Connection type	With indicator light
	8 : 800 series	1 : Single 2 : Double	0 : 2 Pos.	Standard : 24 VDC / 2.5W 110 VAC / 5VA 220 VAC / 5VA Special voltage : 12 VDC / 2.5W 24 VAC / 8.5VA 220 VAC / 8.5VA Suitable for 190-250V (For high pressure range)	ISO Socket solenoid type (Special voltage option)	None (Standard) Without indicator light (Black case)
					Solenoid with wire (500mm) (Wired solenoid are standard voltage only)	ISO Socket solenoid type with indicator light for AC, DC (Transparent case)

SKU
Solenoid Valve

SV
Solenoid Valve

SN
Solenoid Valve

SV310
Solenoid Valve

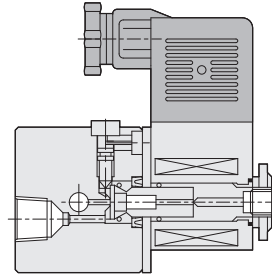
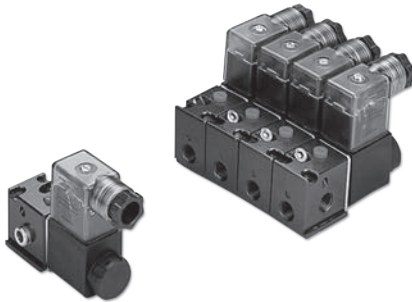


SV series Solenoid valve - SV 310

External dimension

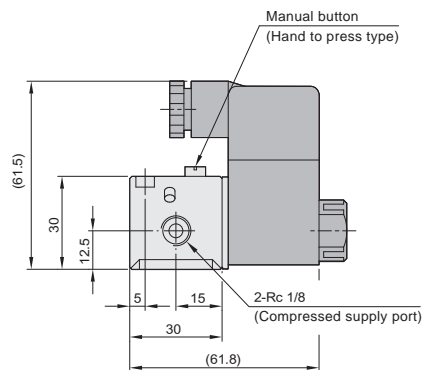
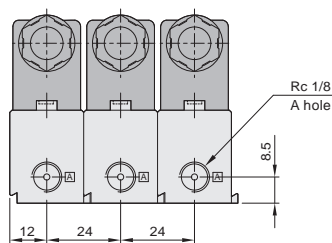
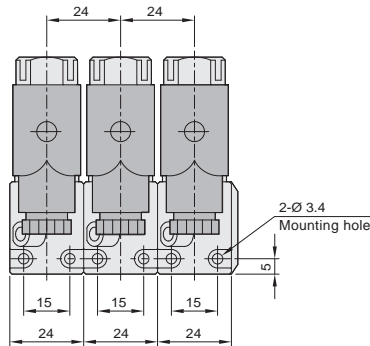
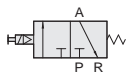
CHELIC PNEUMATIC

Internal structure



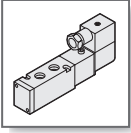
Dimensions

Single 3 ports 2 positions



How to order

SV	3	1	0	110VAC	K	L	M	2
SV series Solenoid valve	Model 3 : 300 series	Port size 1 : Rc 1/8	Positions no. 0 : 2 Pos.	Voltage 24 VDC / 5W 110 VAC / 5W 220 VAC / 5W	Connection type K : With wire Without indicator light W : With wire length 500mm	Connection type None : Standard type L : With indicator light	No. of manifolds 1 = 1 set 2 = 2 sets 3 = 3 sets :	

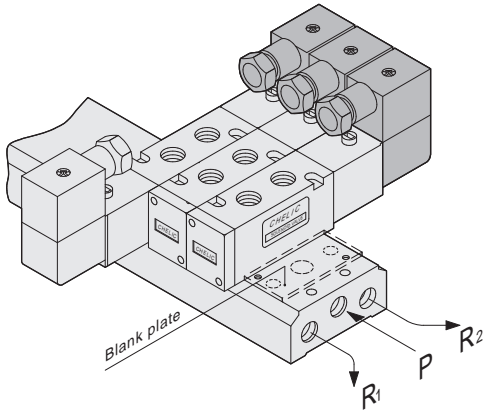


SV series - Solenoid valve

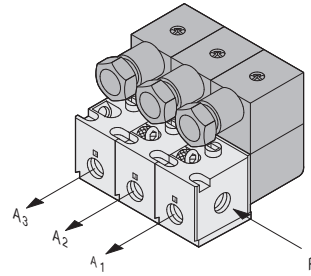
Accessories and Device

CHELIC PNEUMATIC

Manifold SV-500、600、800、900 series

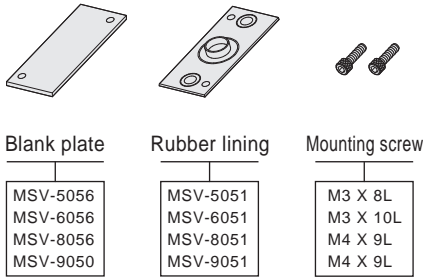


Manifold SV-310 series



Manifold parts SV-500、600、800、900 series

※ The accessories of blank plate



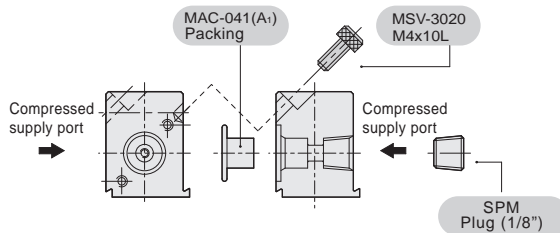
	Blank plate
SV-500 series	MSV-5056
SV-600 series	MSV-6056
SV-800 series	MSV-8056
SV-900 series	MSV-9050

	Rubber lining
SV-500 series	MSV-5051
SV-600 series	MSV-6051
SV-800 series	MSV-8051
SV-900 series	MSV-9051

	Mounting screw
SV-500 series	M3 X 8L
SV-600 series	M3 X 10L
SV-800 series	M4 X 9L
SV-900 series	M4 X 9L

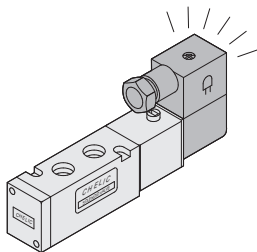
Manifold parts SV-310 series

※ One set of accessories is used in the connection



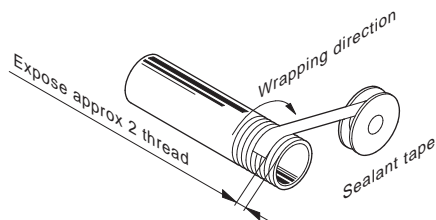
With indicator light - L

There is no protection from surge voltage for this product.



Handing details and precaution

1. Please keep the tube fitting clean.
2. Please wrap the thread by tape seal and leave about 2 pitches unwrapped at the end to as avoid clogging in the air line.



SM
Solenoid Valve

SMB
Solenoid Valve

SMU
Solenoid Valve

SMUB
Solenoid Valve

SR
Solenoid Valve

SRB
Solenoid Valve

SRU
Solenoid Valve

SRUB
Solenoid Valve

SRK
Solenoid Valve

SK
Solenoid Valve

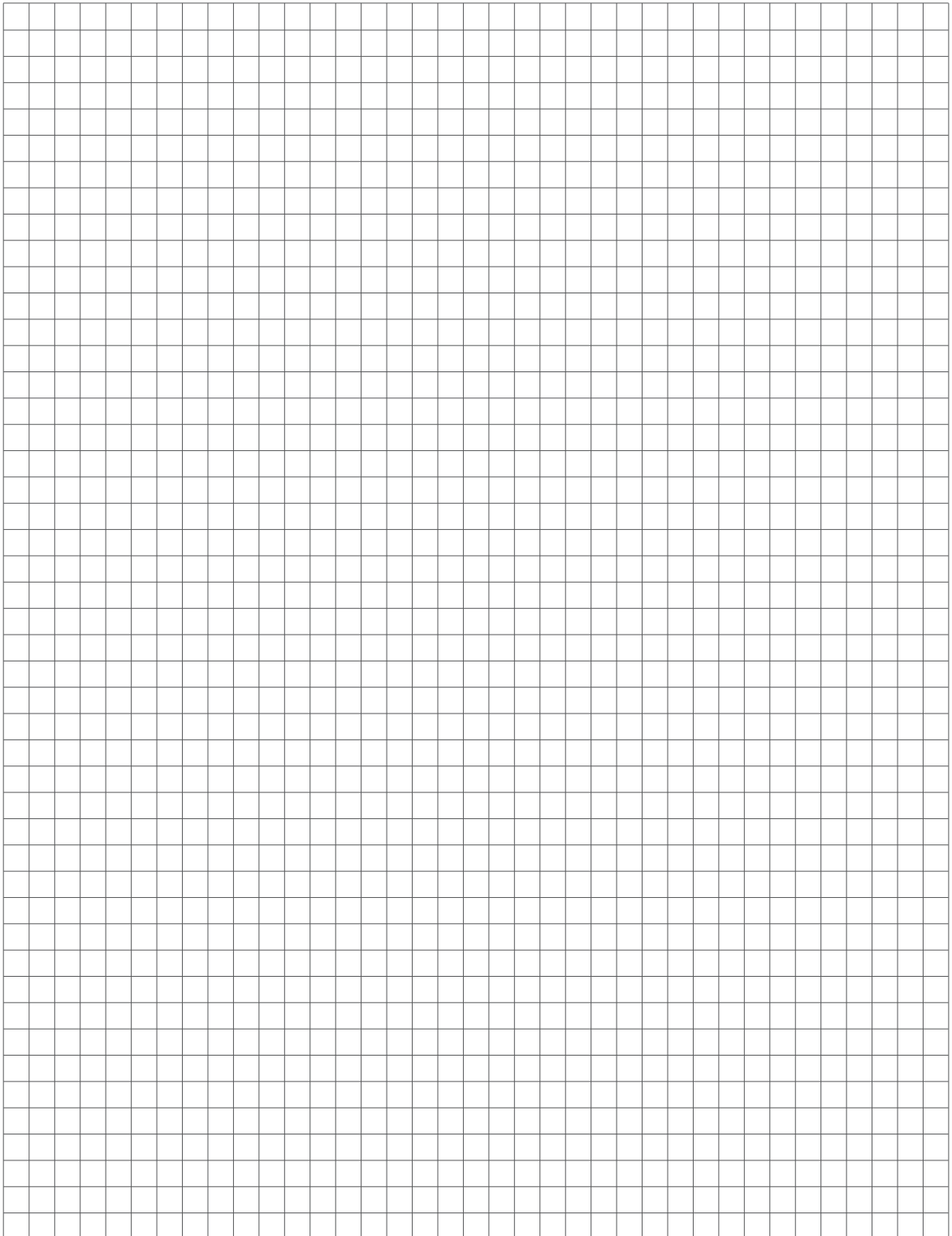
SNK
Solenoid Valve

SKU
Solenoid Valve

SV
Solenoid Valve

SN
Solenoid Valve

SV310
Solenoid Valve

A large grid of graph paper, consisting of 25 columns and 30 rows of small squares, intended for taking notes or calculations.