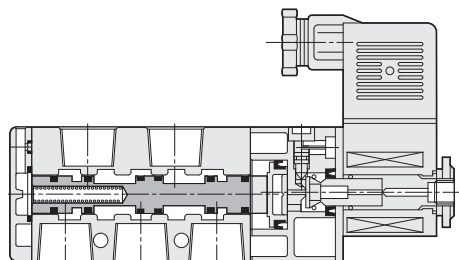
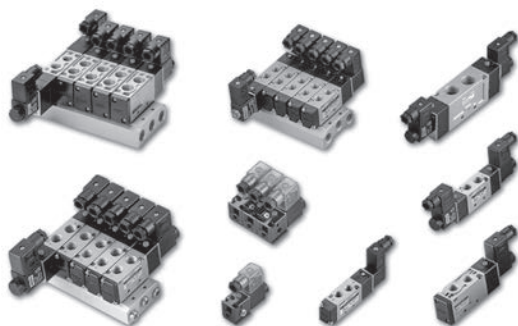


SV SERIES SOLENOID VALVE

Operation specification and order expression

CHELIC PNEUMATIC

Internal structure



SM
SOLENOID VALVE

SMB
SOLENOID VALVE

SMU
SOLENOID VALVE

SMUB
SOLENOID VALVE

SV
SOLENOID VALVE

SV310
SOLENOID VALVE

SN
SOLENOID VALVE (NAMUR)

PM
PILOT VALVE

PMB
PILOT VALVE

PMU
PILOT VALVE

PMUB
PILOT VALVE

PV
PILOT VALVE

PN
PILOT VALVE (NAMUR)

Specification

Item	Model	SV-5101	SV-5201	SV-5231	SV-6101(2)	SV-6201(2)	SV-6231	SV-6232	SV-8102(3)	SV-8202(3)	SV-8232	SV-8233	SV-9104	SV-9204		
		Fluid		Air												
Pressure range	Kgf/cm ² (Kpa)	1 ~ 7 (100 ~ 700)														
Operating ambient temperature range	°C	0 ~ 60														
Operating method		Air pilot														
Number of positions ports	mm ² (CV)	5 Ports 2 positions	5 Ports 3 positions	5 Ports 2 positions	5 Ports 3 positions	5 Ports 2 positions	5 Ports 3 positions	5 Ports 2 positions	5 Ports 3 positions	5 Ports 2 positions	5 Ports 3 positions	5 Ports 2 positions	5 Ports 3 positions	5 Ports 3 positions		
Valve function		Normal closed														
Orifice		12(0.67)			14(0.78)				25(1.4)				50(2.78)			
Manual button		Push and lock(SV-500 Push type only)														
Connection port		Rc 1/8		Rc 1/8 , 1/4				Rc 1/4 , 3/8				Rc 1/2				
Lubrication		Lubrication free type														

Note : Custom made for NPT thread type ◦

How to order

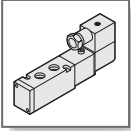
Item : SV series Solenoid Valve

SV — **6** — **1** — **0** — **2** — **110 VAC** — **K** — **L** — **M** — **2**

Model	Coil no.	Positions no.	Port size	Voltage type	Connection type	With LED	No. of manifolds
5:500 series 6:600 series 8:800 series 9:900 series	1: Single coil 2: Double coil	0: 2 Pos. 3: 3 Pos.	1: Rc1/8 2: Rc1/4 3: Rc3/8 4: Rc1/2	Standard : 24VDC / 2.5W 110VAC / 3W 220VAC / 3W Special voltage : 12VDC / 2.5W 24VDC / 1.5W 24VAC / 5W 220VAC / 5W Suitable for 190~250V (For high pressure range)	ISO Socket solenoid type (Special voltage option)	None (Standard) Without led (Black case) ISO Socket solenoid type with lead for AC, DC (Transparent case)	None : Without manifold M2 = 2 sets M3 = 3 sets M12 = 12 sets ※ SV500 series Max. manifolds : M10 ※ SV600 series Max. manifolds : M12 ※ SV800 series Max. manifolds : M12 ※ SV900 series Max. manifolds : M5

Note : 1.Special voltage needs to be marked ◦
 2.The standard of SV500 series is with wire type ◦
 For SV600 , 800 , 900 series , standard type is ISO socket type ◦

Solenoid with wire (450mm)
 (Wired solenoid are standard voltage only)



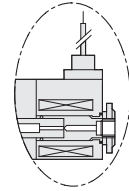
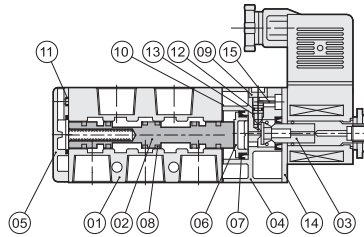
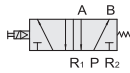
SOLENOID VALVE - SV 500、600、800、900 SERIES

Components and Material table

CHELIC PNEUMATIC

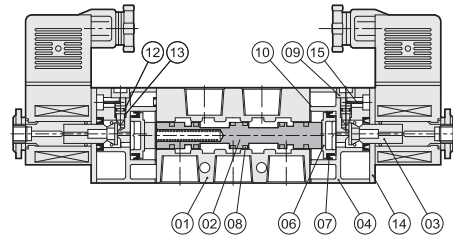
Internal structure

- Single coil 5 Ports 2 positions

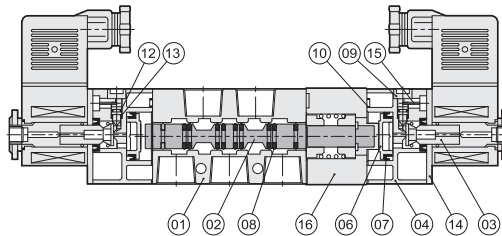


- [W] With wire type

- Double coil 5 Ports 2 positions



- Double coil 5 Ports 3 positions



Material of major parts list

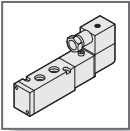
No.	Item	Material	No.	Item	Material
01	Body	Aluminum alloy	09	Manual rod	Plastic steel
02	Sliding rod	Aluminum alloy	10	O-Ring	NBR
03	Copper tube	Copper	11	O-Ring	NBR
04	Holder	Plastic steel	12	O-Ring	NBR
05	End cover	Plastic steel	13	Spring	Stainless steel
06	Piston	Plastic steel	14	Iron plate	Iron
07	Piston packing	NBR	15	Iron plate	Iron
08	Rod packing	NBR	16	Middle holder	Plastic steel

Note : The main body has been treated with painting ◦

Packing and o-ring

Item	Piston packing	Middle holder O-Ring	Manual rod O-Ring	End cover O-Ring
Model \ Number	1	1	1	1
SV 500	—	—	∅2X∅1	—
SV 600	MYA-14	∅2X∅1.5	∅2X∅1	∅17.5X∅1.5
SV 800	MYA-18	∅2X∅1.5	∅2X∅1	∅19.5X∅1.5
SV 900	Z8-2822	∅3.5X∅1.5	∅2X∅1	∅22.8X∅1.58

Note : Piston packing and Rod packing are imported ◦ (MITSUBISHI , SAKAGAMI and so on)



SV SERIES SOLENOID VALVE - SV 500

External Dimensionse

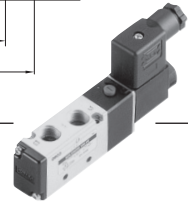
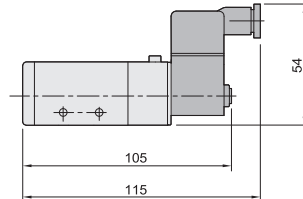
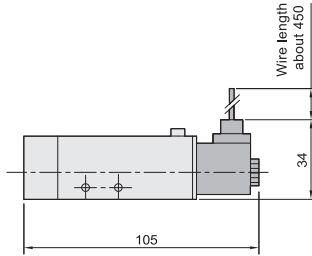
CHELIC PNEUMATIC

500 Series Coil operated type

— Wire type (Standard)

— Socket & connection type (Optional)

● With LED (Optional)



SM
SOLENOID
VALVE

SMB
SOLENOID
VALVE

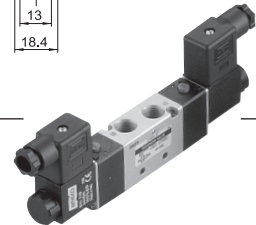
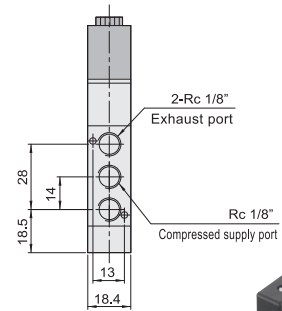
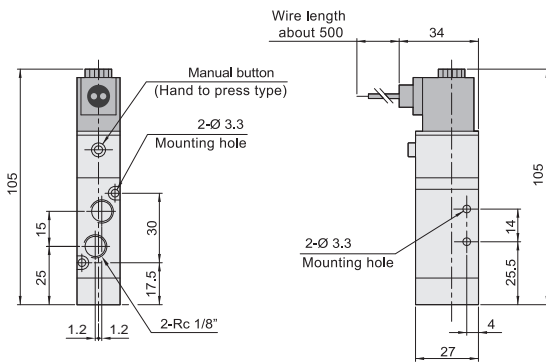
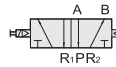
SMU
SOLENOID
VALVE

SMUB
SOLENOID
VALVE

SV
SOLENOID
VALVE

SV - 5101 series

Single coil
5 Ports 2 positions



SV310
SOLENOID
VALVE

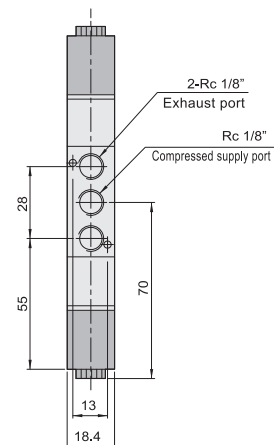
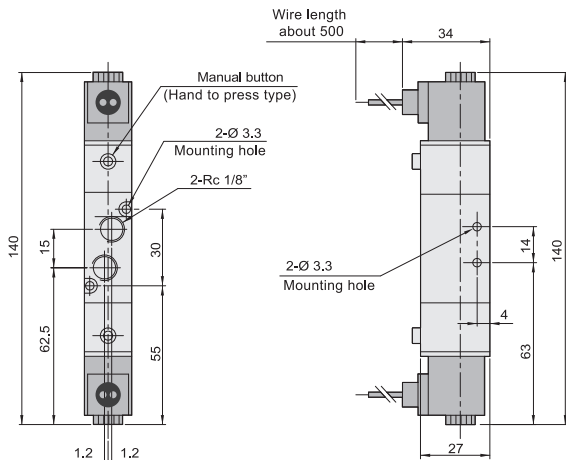
SN
SOLENOID
VALVE
(NAMUR)

PM
PILOT
VALVE

PMB
PILOT
VALVE

SV - 5101 series

Double coil
5 Ports 3 positions

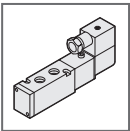


PMU
PILOT
VALVE

PMUB
PILOT
VALVE

PV
PILOT
VALVE

PN
PILOT
VALVE
(NAMUR)



SV SERIES SOLENOID VALVE - SV 600

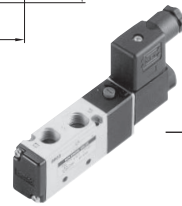
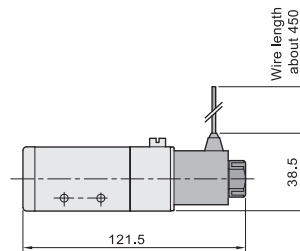
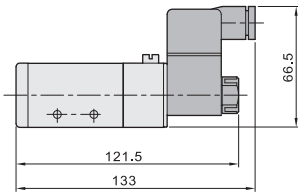
External Dimensionse

CHELIC PNEUMATIC

600 series Coil operated type

- DIN Connection type (Standard)
 - With LED (Optional)

— Wire type (Optional)



SM
SOLENOID
VALVE

SMB
SOLENOID
VALVE

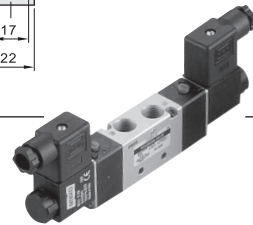
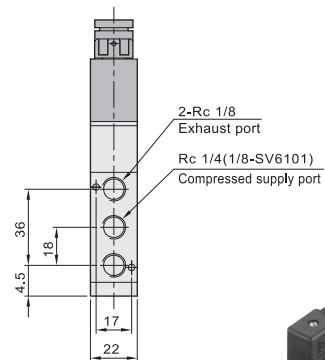
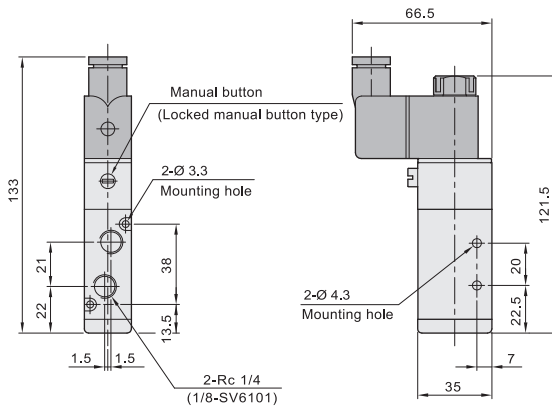
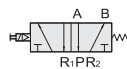
SMU
SOLENOID
VALVE

SMUB
SOLENOID
VALVE

SV
SOLENOID
VALVE

SV - 6102 series

Single coil
5 Ports 2 positions



SV310
SOLENOID
VALVE

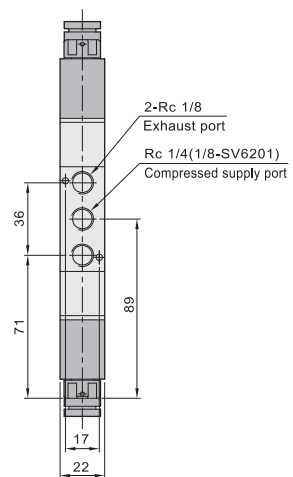
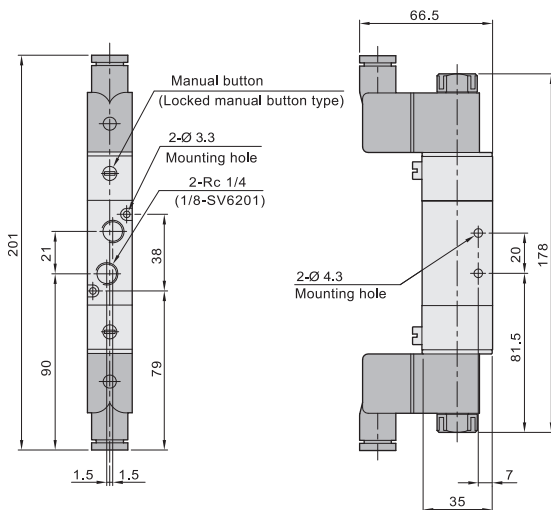
SN
SOLENOID
VALVE
(NAMUR)

PM
PILOT
VALVE

PMB
PILOT
VALVE

SV - 6202 series

Double coil
5 Ports 3 positions

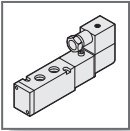


PMU
PILOT
VALVE

PMUB
PILOT
VALVE

PV
PILOT
VALVE

PN
PILOT
VALVE
(NAMUR)



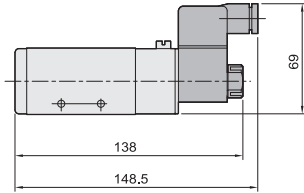
SV SERIES SOLENOID VALVE - SV 800

External Dimensionse

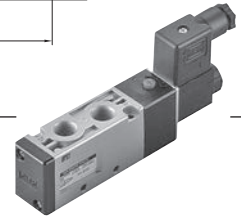
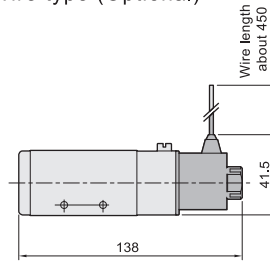
CHELIC PNEUMATIC

800 series Coil operated type

- DIN Connection type (Standard)
 - With LED (Optional)



- Wire type (Optional)



SM
SOLENOID
VALVE

SMB
SOLENOID
VALVE

SMU
SOLENOID
VALVE

SMUB
SOLENOID
VALVE

SV
SOLENOID
VALVE

SV310
SOLENOID
VALVE

SN
SOLENOID
VALVE
(NAMUR)

PM
PILOT
VALVE

PMB
PILOT
VALVE

PMU
PILOT
VALVE

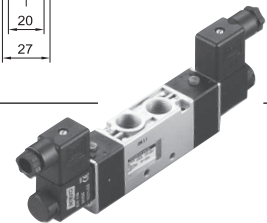
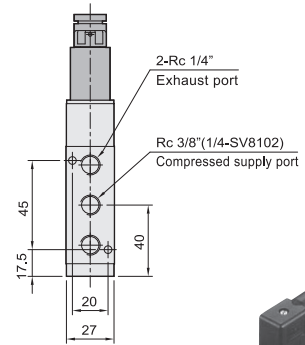
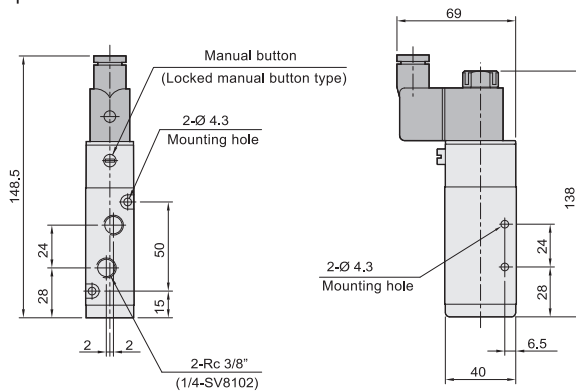
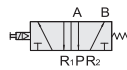
PMUB
PILOT
VALVE

PV
PILOT
VALVE

PN
PILOT
VALVE
(NAMUR)

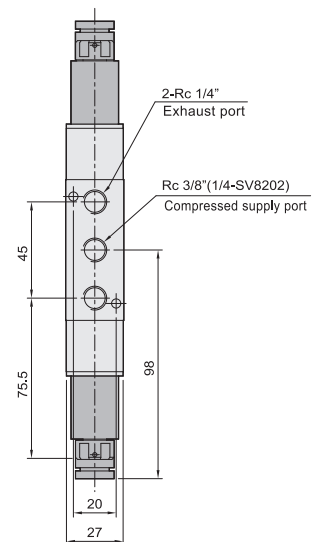
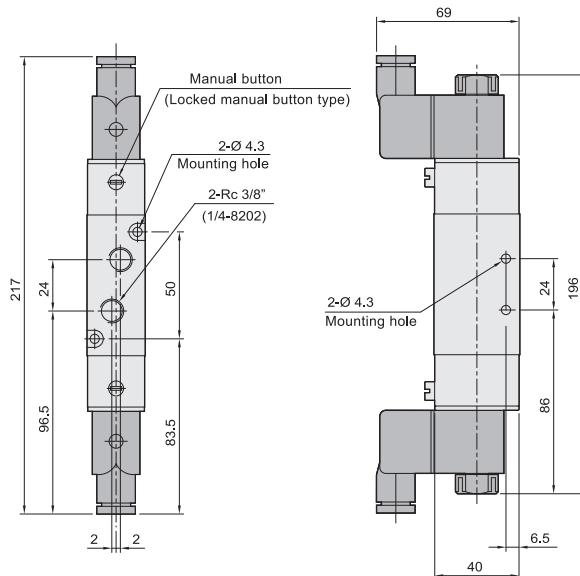
SV - 8103 series

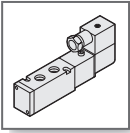
Single coil
5 Ports 2 positions



SV - 8203 series

Double coil
5 Ports 3 positions





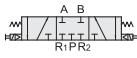
SV SERIES SOLENOID VALVE - SV 800

External Dimensionse

CHELIC PNEUMATIC

SV-8233 - series

Double coil
5 Ports 3 positions



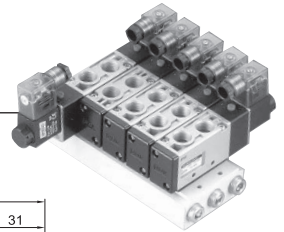
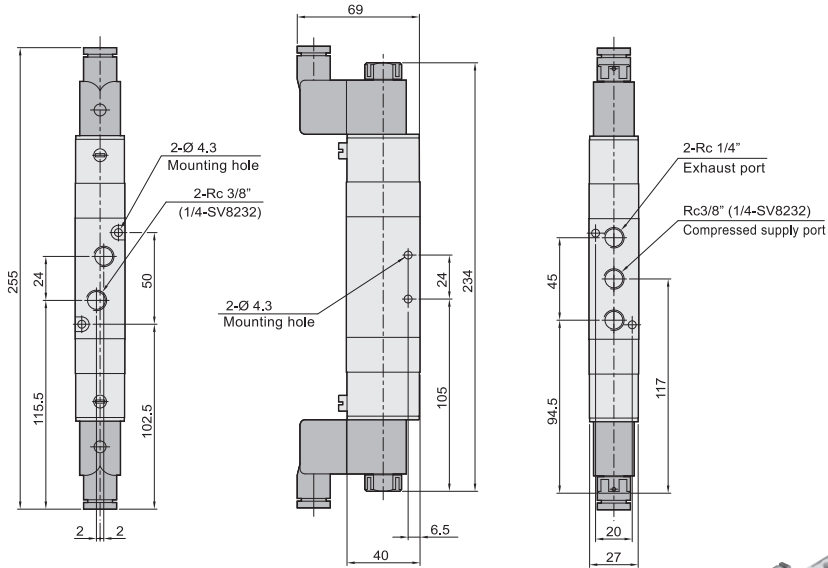
SV-8233- **[NC]** (Normal close N.C.)



SV-8233- **[NF]** (Normal free N.F.)

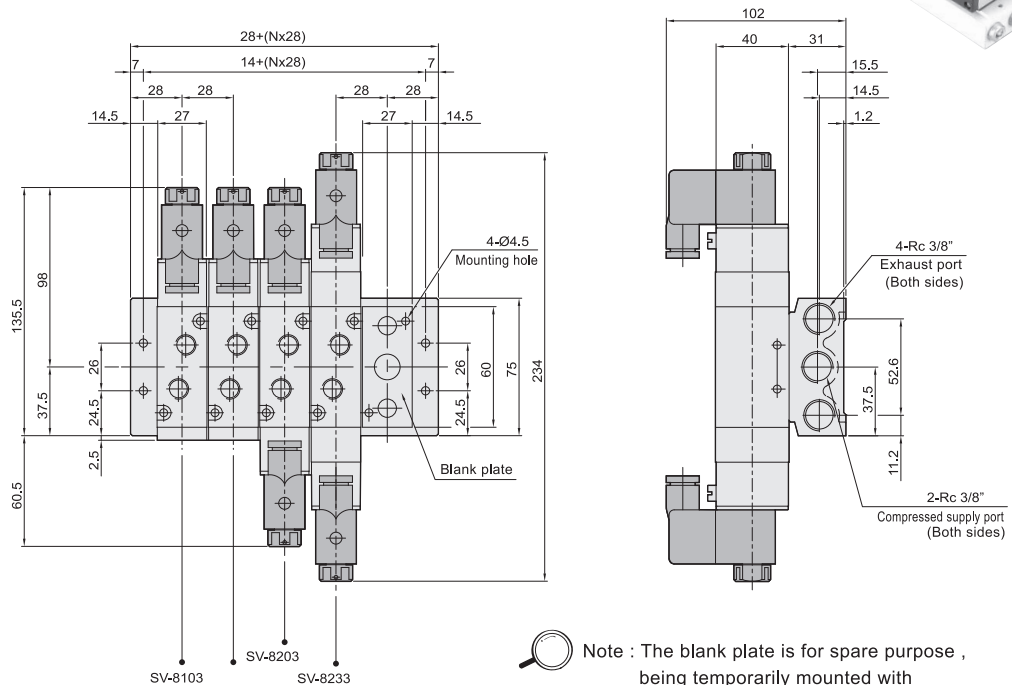


SV-8233- **[NO]** (Normal open N.O.)

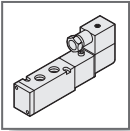


SV 800 series

Manifold Dimensions



Note : The blank plate is for spare purpose , being temporarily mounted with lead-resistant rubber piece .



SV SERIES SOLENOID VALVE - SV 900

External Dimensionse

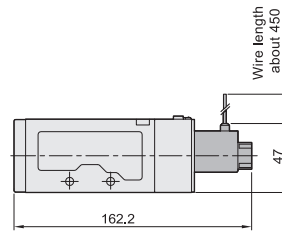
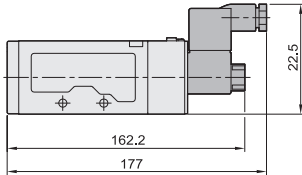
CHELIC PNEUMATIC

900 series Coil operated type

— DIN Connection type (Standard)

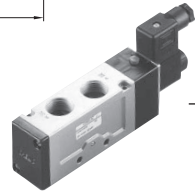
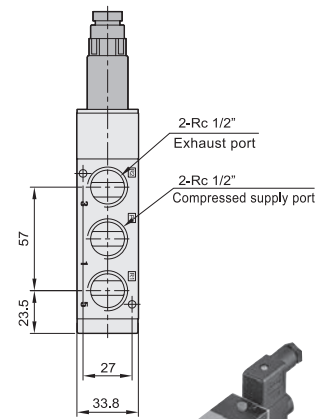
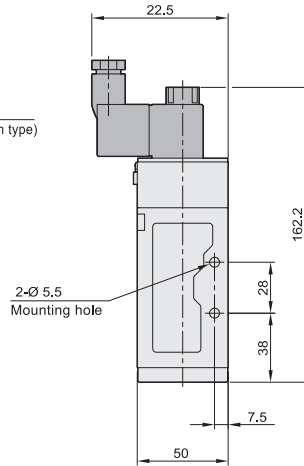
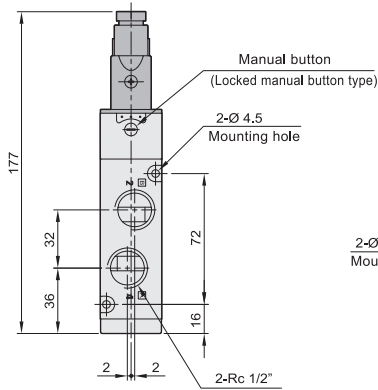
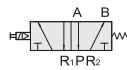
• With LED (Optional)

— Wire type (Optional)



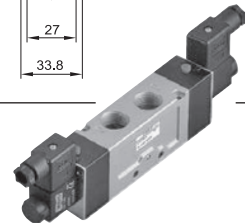
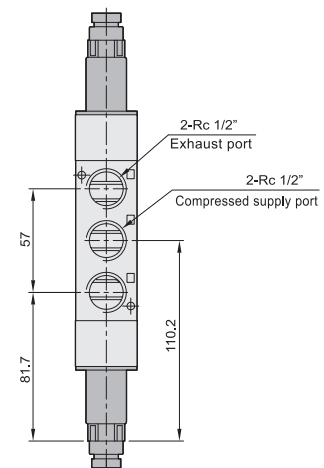
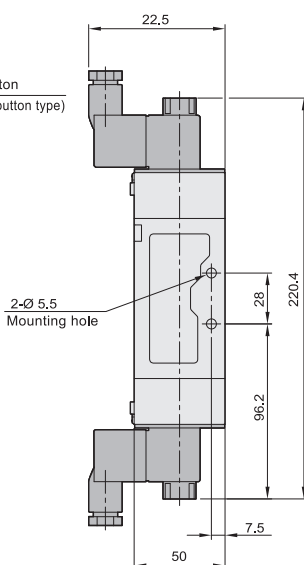
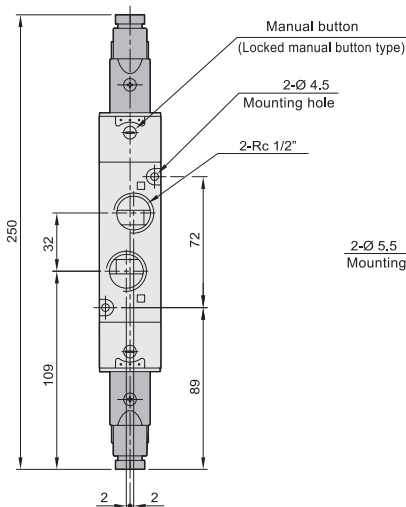
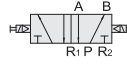
SV - 9104 series

Single coil
5 Ports 2 positions



SV - 9204 series

Double coil
5 Ports 3 positions



SM
SOLENOID VALVE

SMB
SOLENOID VALVE

SMU
SOLENOID VALVE

SMUB
SOLENOID VALVE

SV
SOLENOID VALVE

SV310
SOLENOID VALVE

SN
SOLENOID VALVE (NAMUR)

PM
PILOT VALVE

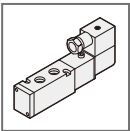
PMB
PILOT VALVE

PMU
PILOT VALVE

PMUB
PILOT VALVE

PV
PILOT VALVE

PN
PILOT VALVE (NAMUR)



SV SERIES SOLENOID VALVE - SV 900

External Dimensionse

CHELIC PNEUMATIC

SV-9234 - series

Double coil
5 Ports 3 positions



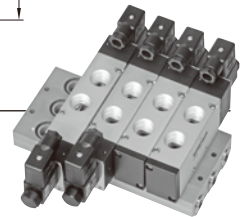
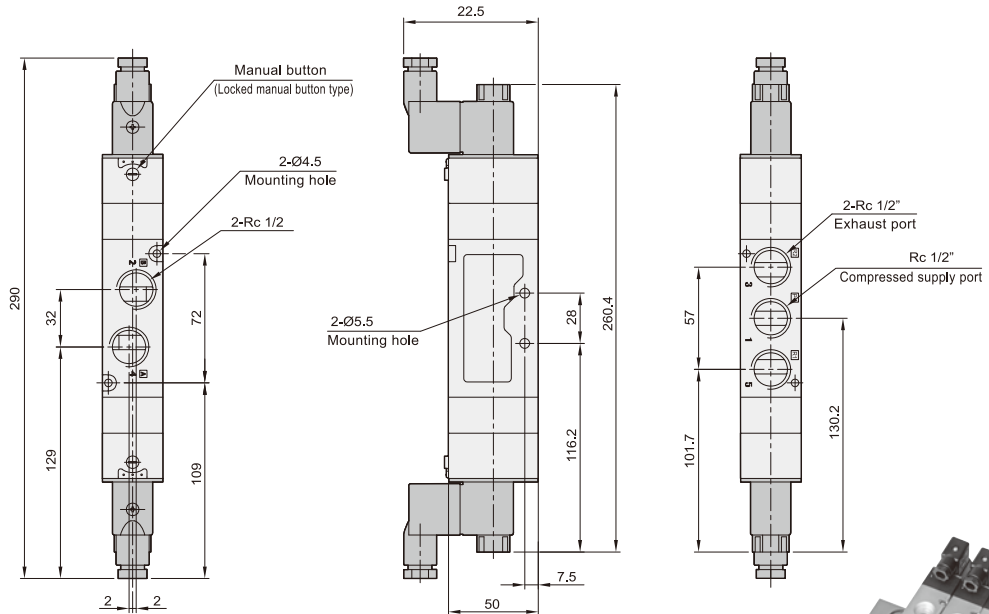
SV-9234- **[NC]** (Normal close N.C.)



SV-9234- **[NF]** (Normal free N.F.)

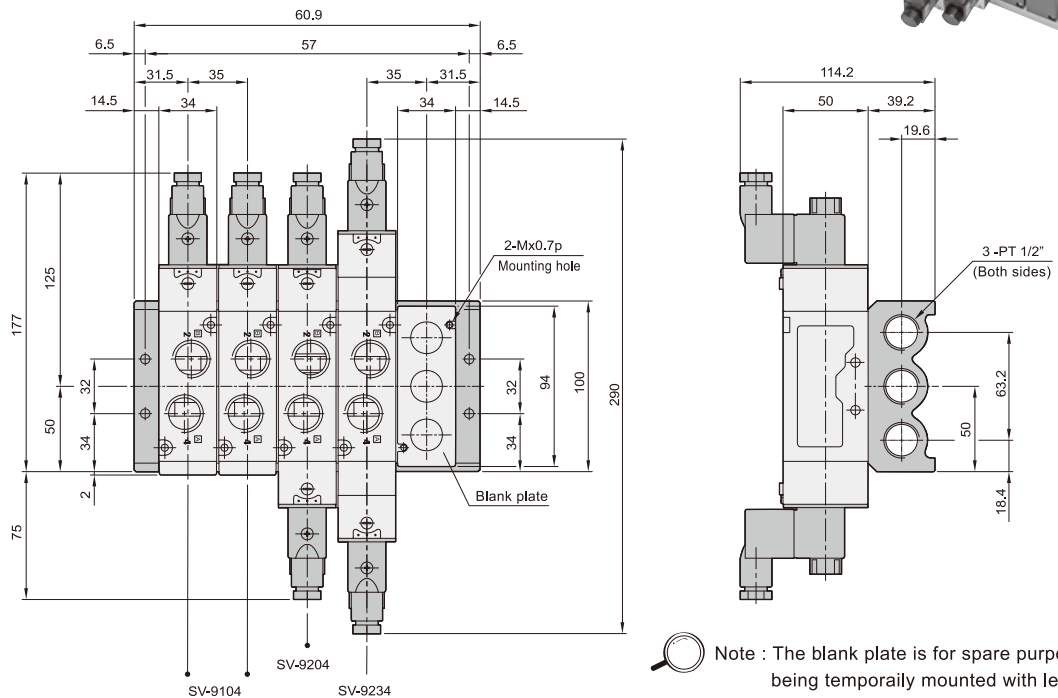


SV-9234- **[NO]** (Normal open N.O.)



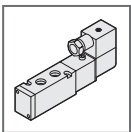
SV 900 series

Manifold Dimensions



Note : The blank plate is for spare purpose , being temporarily mounted with lead - resistant rubber piece -

※ For SV 900 Series Max. Manifold is 5 -

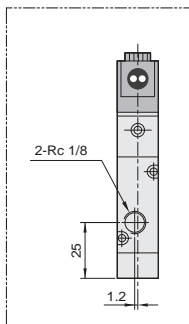
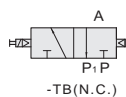
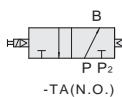


SV SERIES SOLENOID VALVE - SV 500 ~ SV 600

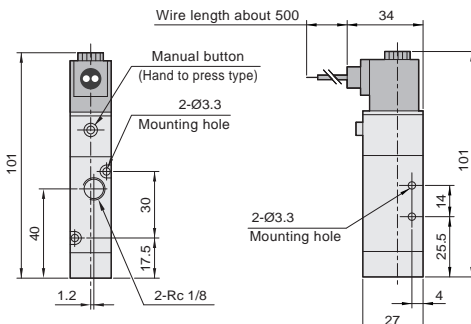
External Dimensions / 3 Ports 2 positions

CHELIC PNEUMATIC

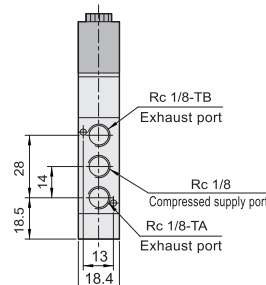
SV-5101 - Single coil
3 Ports 2 positions



- TA



- TB



SM
SOLENOID VALVE

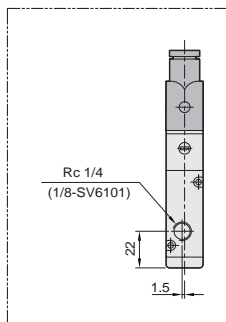
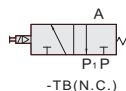
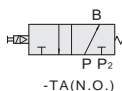
SMB
SOLENOID VALVE

SMU
SOLENOID VALVE

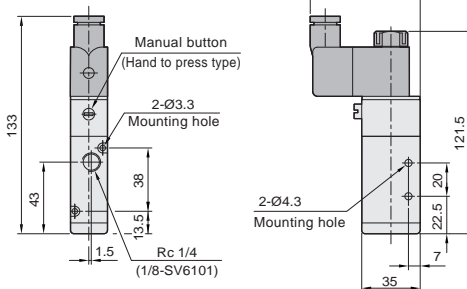
SMUB
SOLENOID VALVE

SV
SOLENOID VALVE

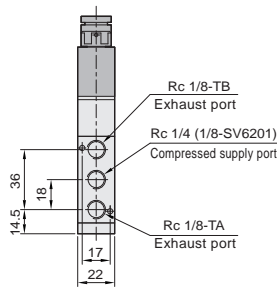
SV-6101 - Single coil
3 Ports 2 positions



- TA



- TB



SV310
SOLENOID VALVE

SN
SOLENOID VALVE (NAMUR)

PM
PILOT VALVE

PMB
PILOT VALVE

PMU
PILOT VALVE

PMUB
PILOT VALVE

PV
PILOT VALVE

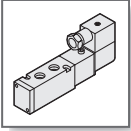
PN
PILOT VALVE (NAMUR)

How to order

SV	6	1	0	2	TA	110 VAC	K	L
Model	Coil no.	Positions no.	Port size	Orifice derrection	Voltage type	Connection type	With LED	
5:500 series 6:600 series	1: Single coil 2: Double coil	0: 2 Pos.	Code Port Model 1 1/8 500 600 2 1/4 -	TA : B orifice derrection (Normally close) TB : A orifice derrection (Normally open)	Standard : 24VDC/2.5W 110VAC/3W 220VAC/3W Special voltage : 12VDC/2.5W 24VDC/1.5W 24VAC/5W 220VAC/5W Suitable for 190-250V (For high pressure range)	ISO Socket solenoid type (Special voltage option) Solenoid with wire (450mm) (Wired solenoid are standard voltage only)	None (Standard) Without led (Black case) ISO Socket solenoid type with lead for AC, DC (Transparent case)	

Item : SV series Solenoid Valve

Note : 1.Special voltage needs to be marked .
2.The standard of SV500 series is with wire type ;
For SV600 series , standard type is ISO socket type .



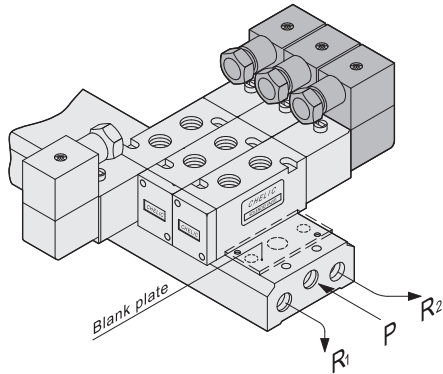
SV SERIES Solenoid valve

Accessories and device

CHELIC PNEUMATIC

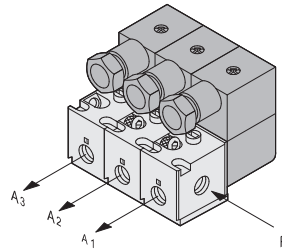
Manifold

SV-500、600、800、900 series



Manifold

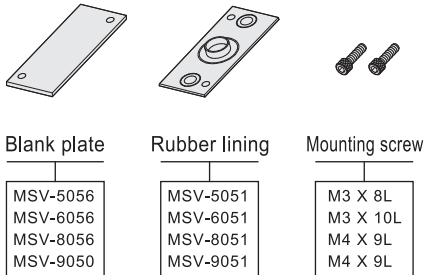
SV-310 series



Manifold parts

SV-500、600、800、900 series

※ The accessories of blank plate



SV-500 series
SV-600 series
SV-800 series
SV-900 series

Blank plate	
MSV-5056	
MSV-6056	
MSV-8056	
MSV-9050	

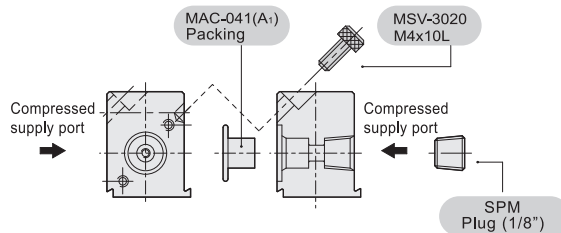
Rubber lining	
MSV-5051	
MSV-6051	
MSV-8051	
MSV-9051	

Mounting screw	
M3 X 8L	
M3 X 10L	
M4 X 9L	
M4 X 9L	

Manifold parts

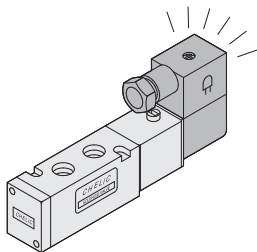
SV-310 series

※ One set of accessories is used in the connection



With LED - L

There is no protection from surge voltage for this product ◦



Handing details and precaution

1. Please keep the tube fitting clean ◦
2. Please wrap the thread by tape seal and leave about 2 pitches unwrapped at the end to as avoid clogging in the air line ◦

