

JAF Series

1000~5000 Air Filter



The way to automation

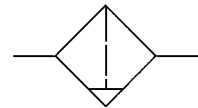
- FRL
- AC, BC
- AFC, BFC
- AF, BF
- AR, BR
- AFR, BFR
- AL, BL
- JAC
- JAF**
- JAR
- JAW
- JAL
- PTH
- JAD



Ordering Code

JA	F	4000	04	D	N
Series	Function	Specification	Port size	Drain Type	Wiring Form
JAF2000-02	Filter	1000	M5: M5 x 0.8	Blank: Semi-automatic D: Automatic	Blank: Standard N: Metal cup
		2000	01: G1/8"		
JAF3000-03		3000	02: G1/4"		
		4000	03: G3/8"		
		5000	04: G1/2"		
			06: G3/4"		
			10: G1"		

Symbol



Specification

Model	JAF1000-M5	JAF2000-01	JAF2000-02	JAF3000-02	JAF3000-03	JAF4000-03	JAF4000-04	JAF4000-06	JAF5000-06	JAF5000-10
Rated Flow	110	750	750	1500	1500	4000	4000	6000	7000	7000
Port Size	M5	1/8	1/4	1/4	3/8	3/8	1/2	3/4	3/4	1
Filter Precision	25 μm									
Max. Adjustable Pressure	1.0 MPa									
Ensured Pressure Resistance	1.5 MPa									
Range of Adjustable Pressure	5 ~ 60 °C									
Container Material	Poly Carbonate									
Container Cup	Not Available					Iron				
Drain Function	Differential Drain	Differential Drain, Automatic Drain								

JAF/JAR Series

1000~5000 Air Filter



The way to automation

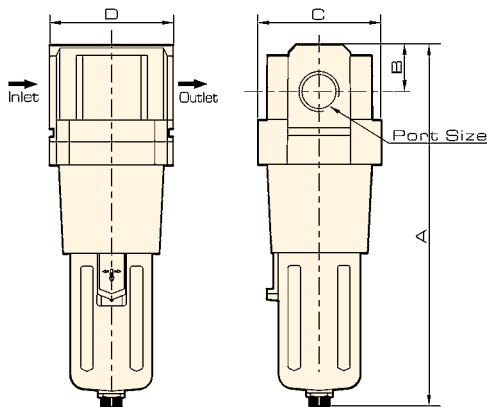
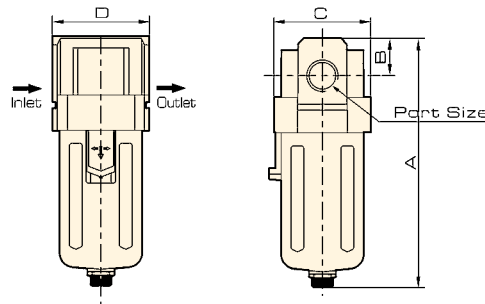
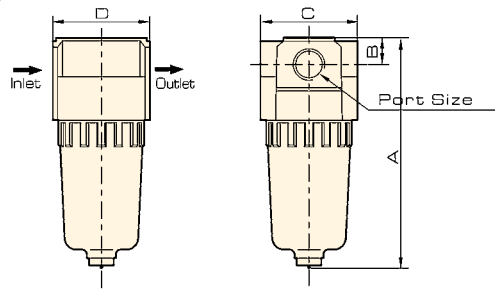
JAF Series

1000~5000 Air Filter

- FRL
- AC, BC
- AFC, BFC
- AF, BF
- AR, BR
- AFR, BFR
- AL, BL
- JAC
- JAF
- JAR
- JAW
- JAL
- PTH
- JAD

Overall Dimension

JAF



Dimension

Model	Bore	A	B	C	D
JAF1000	M5	66	7	25	-
JAF2000	1/8 - 1/4	97.5	11	40	40
JAF3000	1/4 - 3/8	132.5	14	53	53
JAF4000	3/8 - 1/2	168.5	18	70	70
JAF4000-06	3/4	172.5	20	70	70
JAF5000	3/4 - 1	247.5	24	90	90