



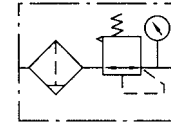


- FRL
- AC, BC
- AFC, BFC
- AF, BF
- AR, BR
- AFR, BFR
- AL, BL
- JAC
- JAF
- JAR
- JAW**
- JAL
- PTH
- JAD

Ordering Code

JA	W	4000	04	D	N
Series	Function	Specification	Port size	Drain Type	Wiring Form
JAW2000-02	Filter & Regulator	1000	M5: M5 x 0.8	Blank: Semi-automatic D: Automatic	Blank: Standard N: Metal cup
		2000	01: G 1/8"		
		3000	02: G 1/4"		
		4000	03: G 3/8"		
		5000	04: G 1/2"		
JAW3000-03		3000	05: G 3/4"		
4000		06: G 3/4"			
5000		10: G 1"			

Symbol



Specification

Model	JAW1000-M5	JAW2000-01	JAW2000-02	JAW3000-02	JAW3000-03	JAW4000-03	JAW4000-04	JAW4000-06	JAW5000-06	JAW5000-10
Rated Flow	100	550	550	2000	2000	4000	4000	4500	5500	5500
Port Size	M5	1/8	1/4	1/4	3/8	3/8	1/2	3/4	3/4	1
Filter Precision	25 μm									
Max. Adjustable Pressure	1.0 MPa									
Ensured Pressure Resistance	1.5 MPa									
Operating Temperature Range	5 ~ 60 °C									
Range of Adjustable Pressure	0.05 ~ 0.7 MPa			0.05 ~ 0.85 MPa						
Container Material	Poly Carbonate									
Container Cup	Not Available				Iron					
Drain Function	Differential Drain			Differential Drain, Automatic Drain						
Valve Type	With Overflow									

CE
ISO9001:2000

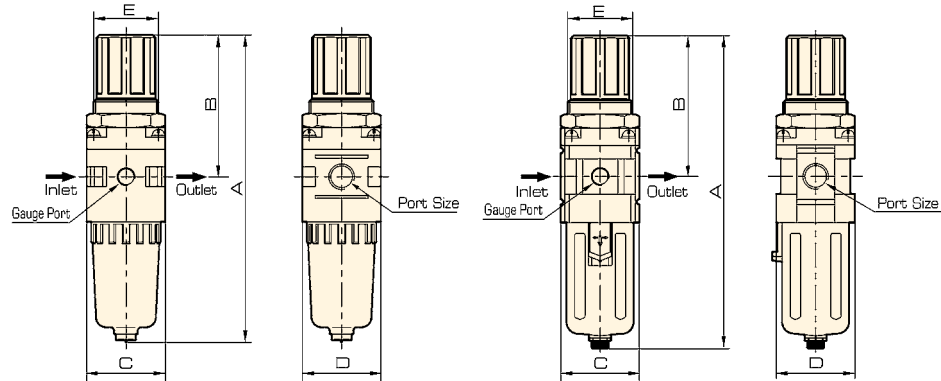
JAW/JAL Series

JAW Series

1000~5000 Filter & Regulator

Overall Dimension

JAW



Dimension

Model	Bore	A	B	C	D	E
JAW1000	M5	109.5	50.5	25	28	28
JAW2000	1/8 - 1/4	164.5	78	40	40	34
JAW3000	1/4 - 3/8	211	92.5	53	53	40
JAW4000	3/8 - 1/2	262	112	70	70	54
JAW4000-06	3/4	267	114	70	70	54
JAW5000	3/4 - 1	338	116	90	90	54

FRL

AC, BC

AFC, BFC

AF, BF

AR, BR

AFR, BFR

AL, BL

JAC

JAF

JAR

JAW

JAL

PTH

JAD