



JAR2000





JAR4000

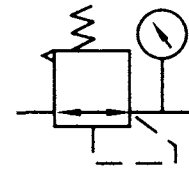
FRL

- AC, BC
- AFC, BFC
- AF, BF
- AR, BR
- AFR, BFR
- AL, BL
- JAC
- JAF
- JAR
- JAW
- JAL
- PTH
- JAD

Ordering Code

JA	R	4000	04
Series	Function	Specification	Port size
JAR2000-02	Regulator	1000	M5: M5 x 0.8
		2000	01: G 1/8"
JAR3000-03		2500	02: G 1/4"
		3000	03: G 3/8"
		4000	04: G 1/2"
		5000	06: G 3/4"
			10: G 1"

Symbol



Specification

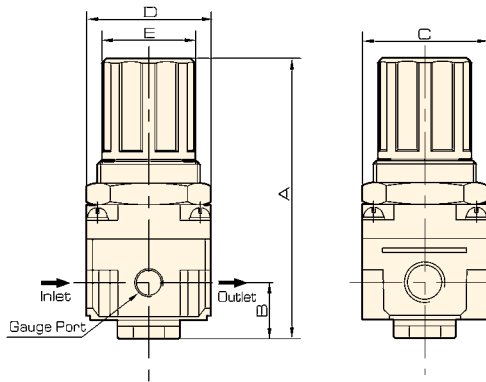
Model	JAR1000-M5	JAR2000-01	JAR2000-02	JAR2500-02	JAR2500-03	JAR3000-02	JAR3000-03	JAR4000-03	JAR4000-04	JAR4000-06	JAR5000-06	JAR5000-10
Rated Flow	110	550	550	2000	2000	2500	2500	6000	6000	6000	8000	8000
Port Size	M5	1/8	1/4	1/4	3/8	1/4	3/8	3/8	1/2	3/4	3/4	1
Max. Adjustable Pressure	1.0 MPa											
Ensured Pressure Resistance	1.5 MPa											
Range of Adjustable Pressure	5 ~ 60 °C											
Range of Adjustable Pressure	0.05 ~ 0.7 MPa		0.05 ~ 0.85 MPa									
Valve Type	With Overflow											

JAR Series

1000~5000 Regulator

Overall Dimension

JAR



Dimension

Model	Bore	A	B	C	D	E
JAR1000	M5	61.5	11	25	25	28
JAR2000	1/8 - 1/4	95	17	40	40	34
JAR2500	1/4 - 3/8	102.5	25	48	53	34
JAR3000	1/4 - 3/8	127.5	35	53	53	40
JAR4000	3/8 - 1/2	149.5	37.5	70	70	54
JAR4000-06	3/4	154	40.5	70	75	54
JAR5000	3/4 - 1	168	48	90	90	54